



Installation Guide
BUILT-IN SXS REFRIGERATOR

UPSXB2627**



MFL67410808

www.thesignaturekitchen.com

Contents

1. Precaution before installation	3
2. Product and Cutout dimension	4
3. Precaution when moving the product	5
4. Cabinet diagram and maximum door opening	5
5. Refrigerator/Freezer door opening and how to fix at 90 degrees	6
6. Installation of part to prevent the product from falling over.....	6
7. Connecting power and securing space for water supply pipe.....	8
8. How to install the water supply pipe	9
9. Product detail dimension.....	10
10. Cabinet detail dimension.....	11
11. How to adjust the height of the refrigerator and freezer door	12
12. How to adjust the height of the product.....	13
13. How to disassemble/reassemble the top grill	14
14. Left/Right door adjuster for refrigerator and freezer	15

1. Precaution before installation

WARNING

TIP-OVER HAZARD

Use two or more people to move and install the refrigerator. To prevent the refrigerator from tipping over, install anti-tip brackets (provided). Failure to follow the refrigerator installation instructions can result in serious injury or death.

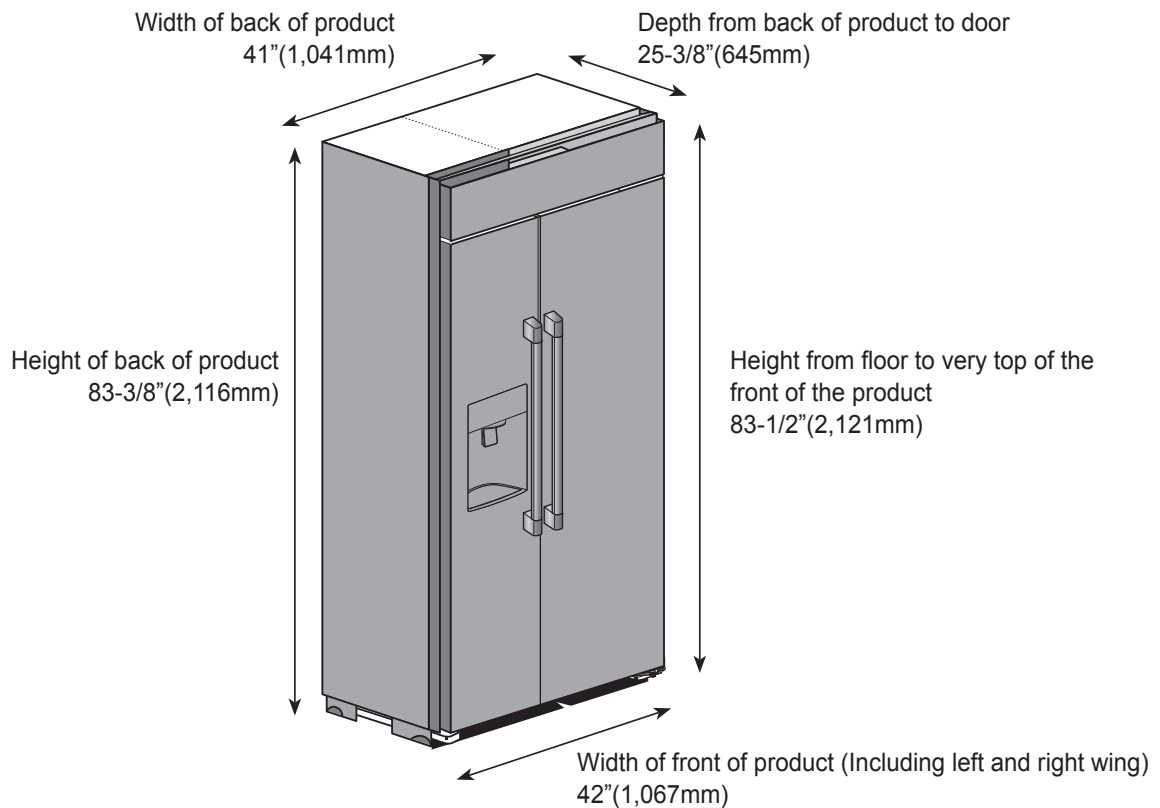


Precaution

- Install the product away from the heat of the heater, boiler or direct sunlight. Install the product where air flows well and is well ventilated.
- Refer to the dimension of the cabinet and prepare the cabinet with good air circulation. Install the product so that air flows smoothly through the front air inlet. If the air circulation structure is not ensured, it may interfere with the normal operation of the product.
- Because the damage to the power cord from external animals (Rodents) can cause a fire, install the product where there is no access from external animals.
- If the cabinet is made of soft material (Ex: Plaster etc.), it can have weak assembly force or even can be damaged. Therefore use the cabinet made of firm strong material.
- Use cabinet without any twisting from the heat emitted from the product or humidity from the opening and closing of the refrigerator.
- Install the product where it is leveled horizontally and vertically. (Within 1mm horizontally and vertically) If the product is not leveled horizontally and vertically, it can be difficult to install the product. (The cabinet must be made of material or must be in the structure not to cause continuous deformation when 220.5 lb(100kg) of load is applied.)
- Install the built-in refrigerator with a team of 2 people.
- When installing the product, protect the children from the use of parts and installation location.
- During the installation, take out the screw from the plastic bag one by one to avoid any injury from exposed parts.
- Avoid the use of multi-tab as it can cause a fire.
- Before installing the product, connect the product to make sure to check it is operating normally.

2. Product and Cutout dimension

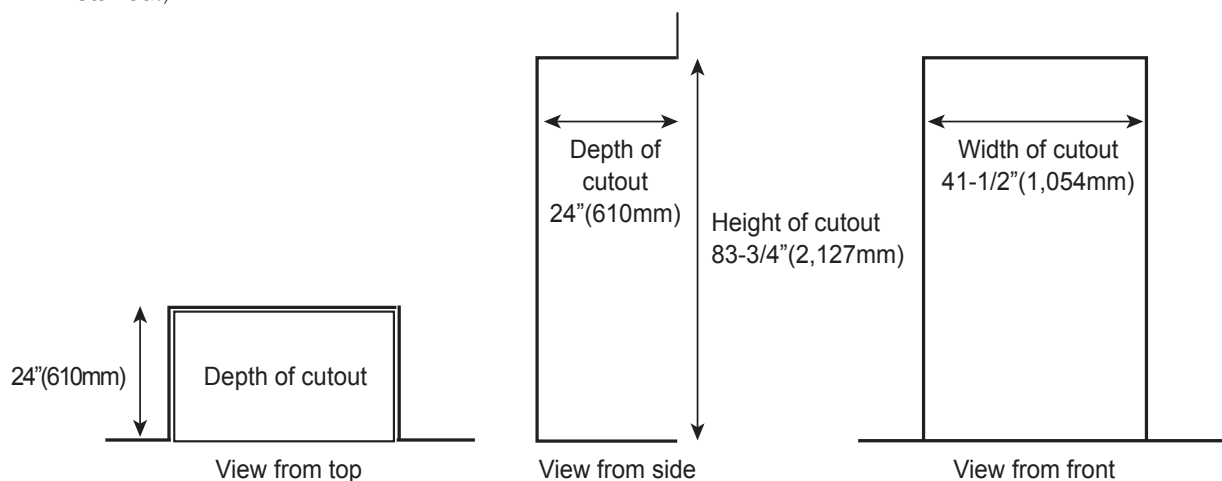
- Product dimension (In) : 42"(1,067mm) x 83-1/2"(2,121mm) x 25-3/8"(645mm) (W x H x D)



- Cutout dimension for product installation (In)

41-1/2"(1,054mm) X 83-3/4"(2,127mm) X 24"(610mm) (W x H x D)

Check the dimension of the cutout to install the product against the dimension stated in the installation manual. The dimensions are the recommended dimensions to install the product. (If the cutout dimension is smaller than the recommended dimension, the product cannot be installed.)



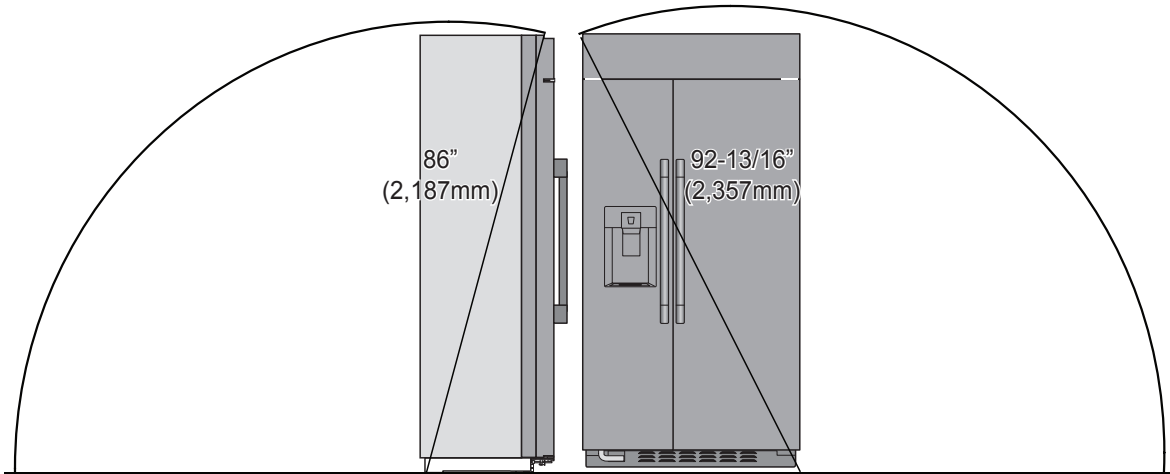
3. Precaution when moving the product

- Before moving the refrigerator, check the line of movement to the location to install.
(Refer to the product dimension and rotating radius.)

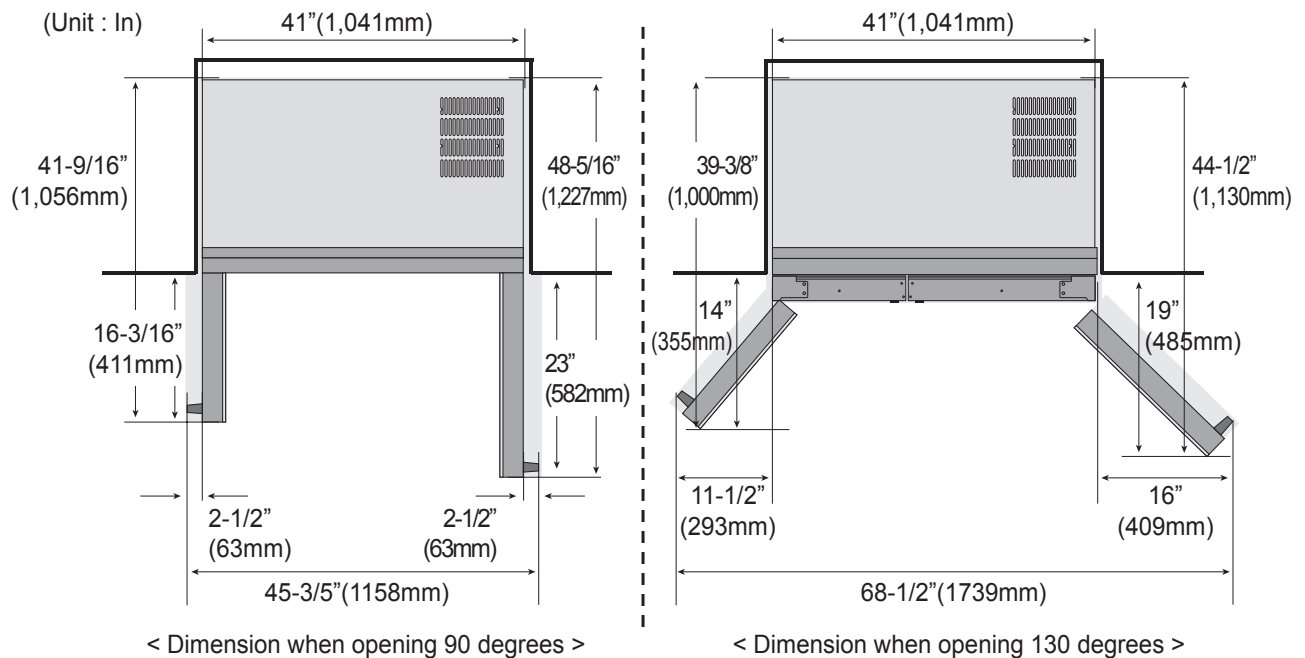
1) Request the installation to the specialized technician.

! It can cause electric shock, fire, malfunction and explosion.

2) Due to the characteristics of the built-in product, the top is heavy and can easily fall over when not installed. Therefore be careful when moving the product. Also because the product can be dangerous if left on inclined surface, always keep the product fixed or held.

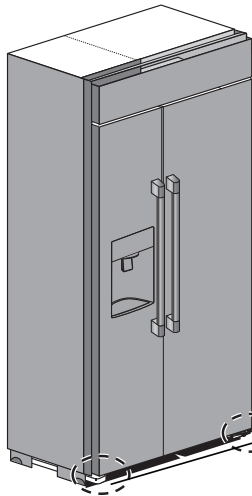


4. Cabinet diagram and maximum door opening

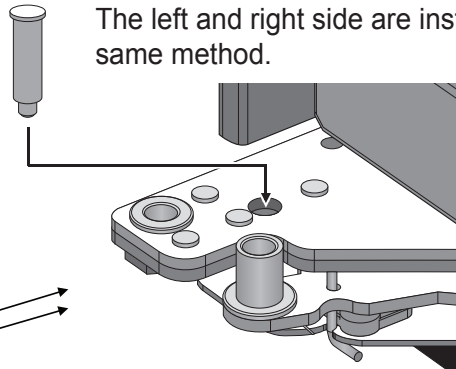


When installing the product on the wall near the corner, check the marked dimension to keep minimum distance to avoid the handle hitting the wall.

5. Refrigerator/Freezer door opening and how to fix at 90 degrees

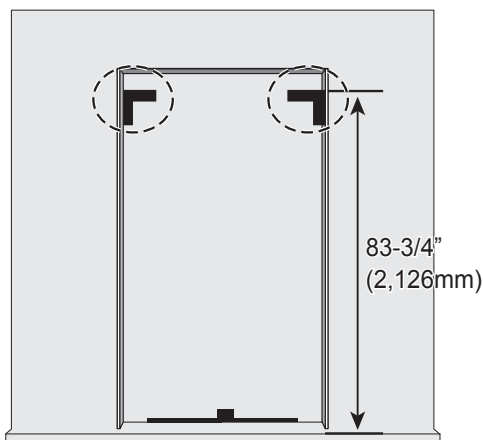


Push and install the device to keep the refrigerator door open and fixed, included in the accessory box, to the hole marked on the picture completely. The left and right side are installed in the same method.



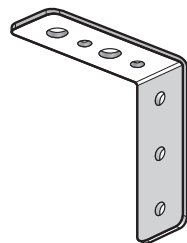
※ If the device to keep the refrigerator door open and fixed cannot be inserted, move the refrigerator door slowly in left and right direction to push it in.

6. Installation of part to prevent the product from falling over



※ Because the built-in product is heavy on the top, the cabinet must be fixed firmly so that the product does not move when using it.

- Fix the side of the cabinet to the building wall or side of the furniture firmly.
- Use the part included in the accessory box as shown in the picture to fix the cabinet to both sides of the walls.
- If the part prevent the product from falling over is not installed in the correct location, the product can fall over to cause severe injury or death.



Part to prevent product from falling over x 2



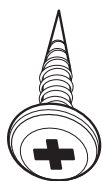
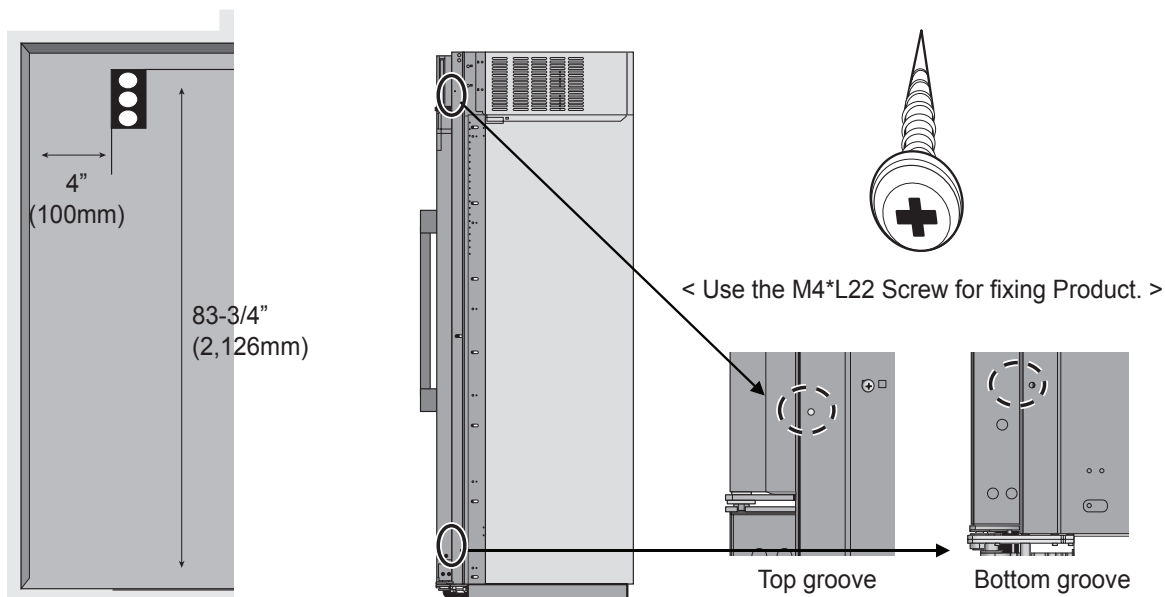
M4*L12 screw x 6



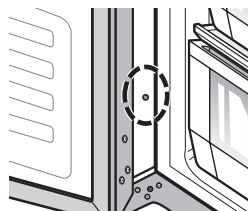
M4*L22 screw x 8

6. Installation of part to prevent the product from falling over

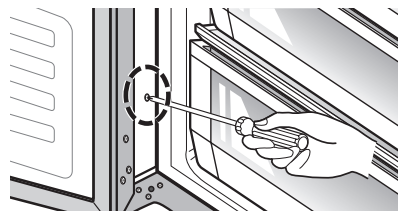
- 1) Check if all the described parts are included in the accessory box.
- 2) Based on the recommended dimension on the picture, place the part to prevent the product from falling over. (Same for both left and right side)
- 3) Use the M4*L12 screw included in the accessory box to tighten 3 locations respectively on left and right side.
(Tighten the screws completely so that the part is not loose from the cabinet.)
- 4) Place the product on the cabinet and then use the M4*L22 screw included in the accessory box to tighten 4 locations respectively on left and right side on the groove marked on the picture after checking whether the product is leveled and checking the level difference between the refrigerator and freezer door and the alignment between the front part of the product against the cabinet etc.
(When inserting the refrigerator in the cabinet, be careful not to get the hand caught.)



< Use the M4*L12 Screw for fixing anti tip over bracket. >

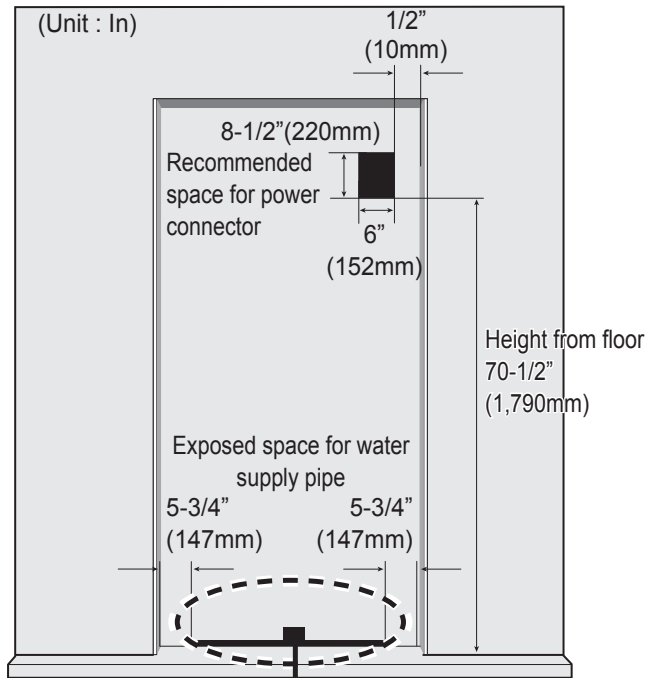


< Example of installation >



< Example of installation >

7. Connecting power and securing space for water supply pipe



- Power connection

The location of the 115V 60Hz power connector must be located on the rear side of the product as shown in the picture.

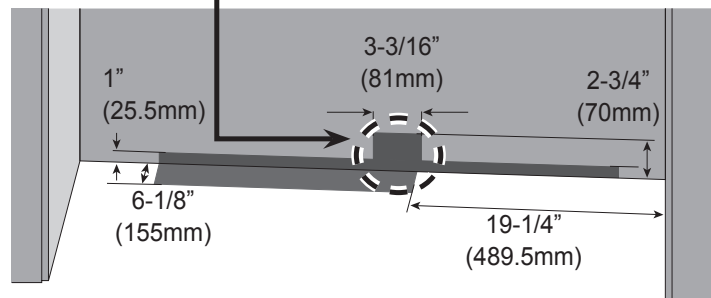
When installing the product, make sure to check whether the cord is hung on the hook on the rear side so that it is not pressed on the refrigerator. Damaged power cord can cause a fire.

- Installation space for water supply pipe

Place the water hose for ice maker and water dispenser as shown in the picture, and prepare hose to come up from the floor.

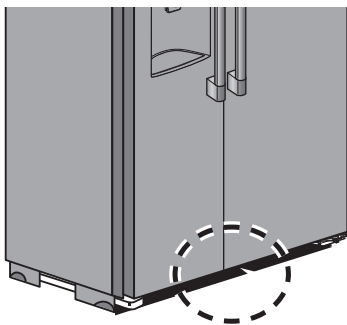
(Copper pipe with diameter of 5/16" (8mm) is recommended for the water hose.)

If the water pipe and water hose is located far from the product, bury the water hose on the floor and provide appropriate treatment.



- ⚠ Make sure the location of the water supply pipe is within the marked range.
- ⚠ Before connecting the power, always make sure to ground the product. (If the product is not grounded, the user may be able to feel the electricity due to the minute leakage current when touching the refrigerator door handle or side corner even when there is no issue with the product.)
- ⚠ Do not ground the product to gas pipe, plastic water pipe or telephone wire etc. It can cause electric shock and explosion.

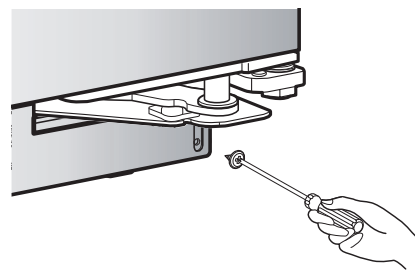
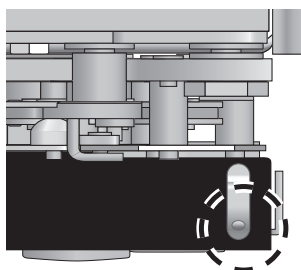
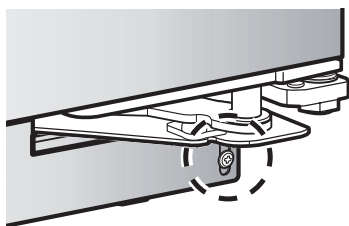
8. How to install the water supply pipe



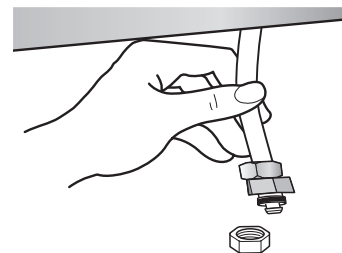
※ Check the location and installation detail of the water service pipe on the previous page before connecting the water supply pipe. Before inserting the product completely into the cabinet, check if there is any water leakage.

- 1) Disassemble the bottom grill.
(Both the left and right sides are disassembled and reassembled in the same method.)

- Use the (+) driver to disassemble the bottom grill.

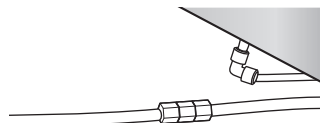
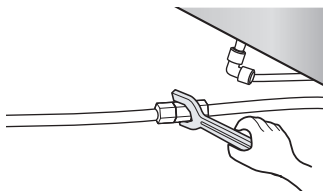


- 2) Pull out the water supply pipe from the bottom of the product and prepare to disassemble/reassemble the connecting part of the water service pipe.



- 3) After connecting the water supply pipe and the water service pipe, tighten them with a spanner to avoid any leakage. After installing the product within the cabinet, recheck for any water leakage.

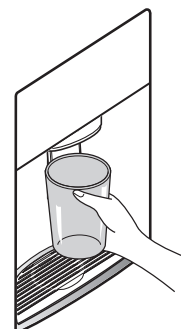
※ Prepare a bucket under the water service pipe connector before checking for any water leakage to avoid ruining the flooring material and carpet etc.



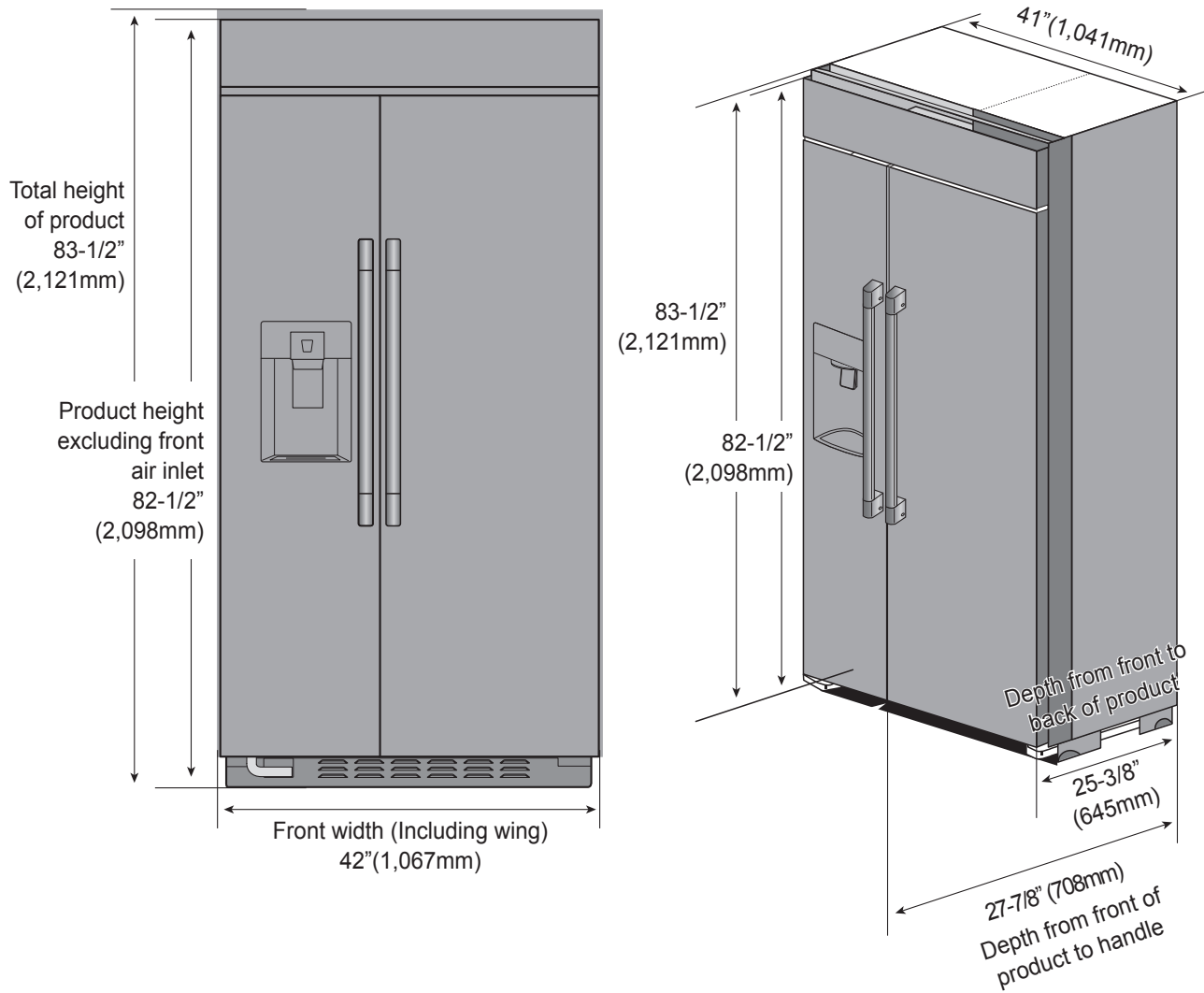
- 4) Reassemble the bottom grill in the reverse order of 1).

- 5) Flush air from the system by running water through the dispenser continuously for 5 gallon.

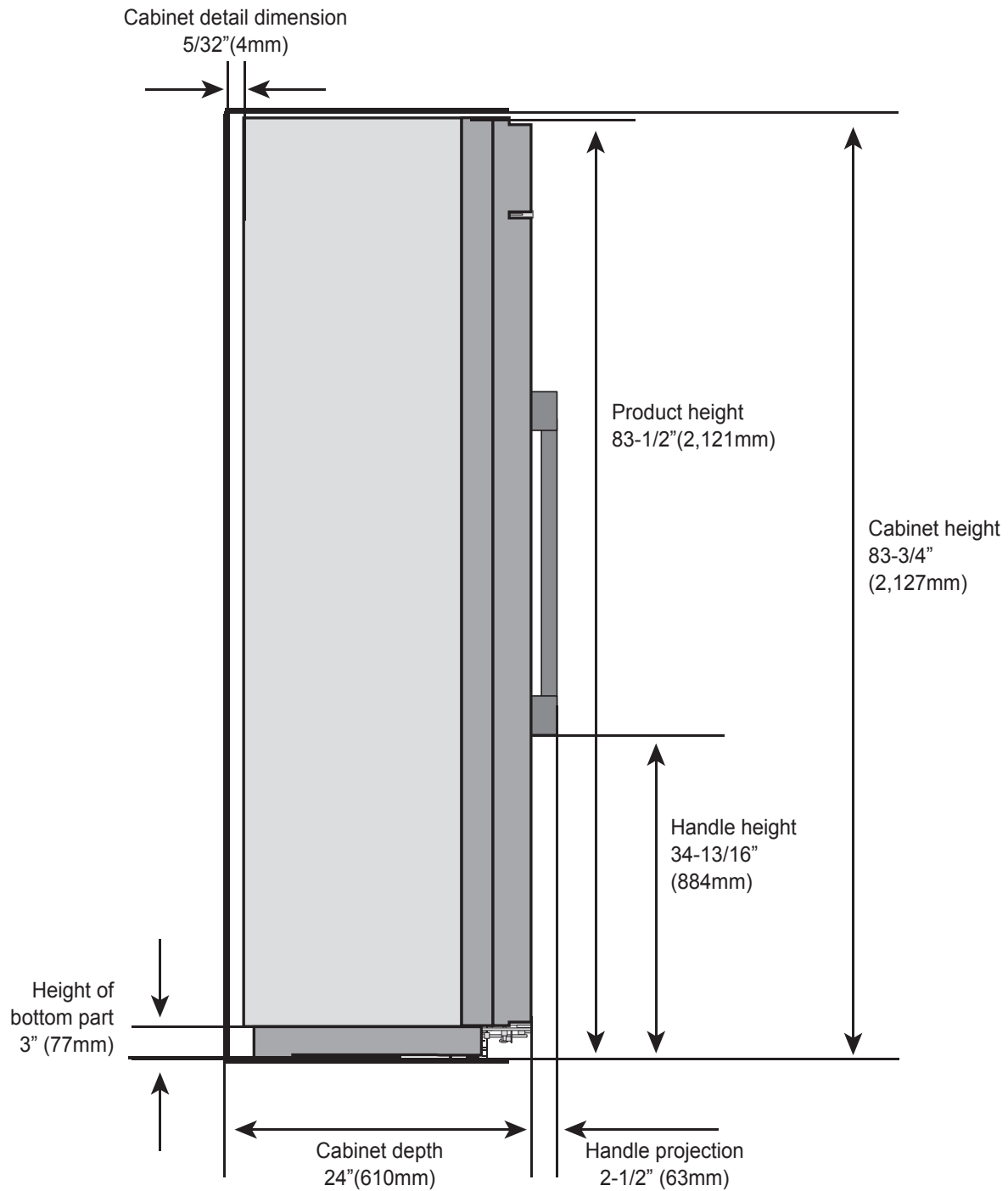
Note: Allow 1~2 minute delay in water dispersal to allow internal water tank to fill.



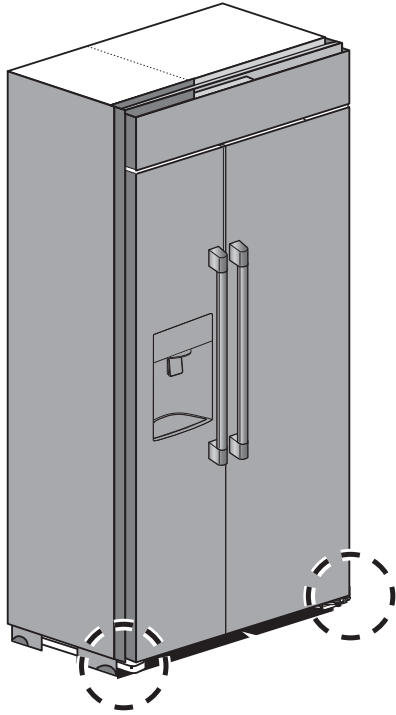
9. Product detail dimension



10. Cabinet detail dimension



11. How to adjust the height of the refrigerator and freezer door



1) If the height of the refrigerator and freezer is different, turn the bottom door height adjustment bolt to adjust the height.

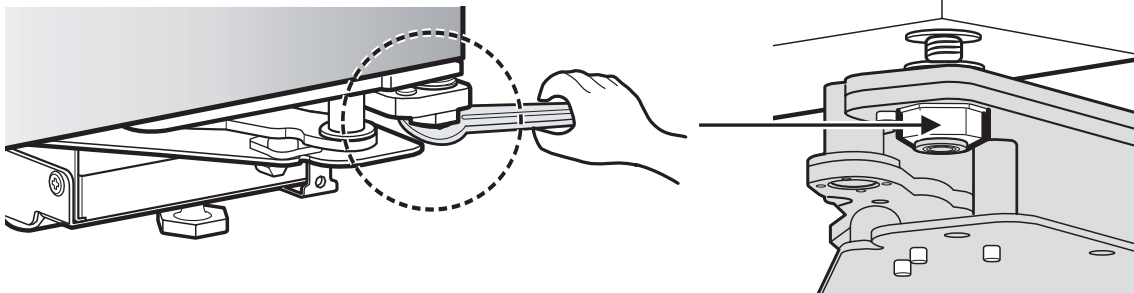
- The refrigerator and freezer door can be adjusted by 1/8" (3mm) respectively.

- M6 wrench to adjust the height of the door is not included in the accessory box. (For accurate height adjustment, it is recommended to contact the service center.)

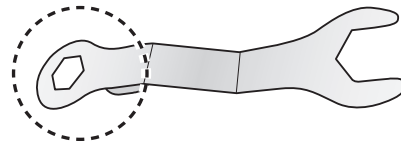
※ If the height of the door is adjusted excessively on left/right side, the door close sensor may not recognize well and the door may not be closed.

2) Adjustment order (Adjustment method is same for both left and right side.)

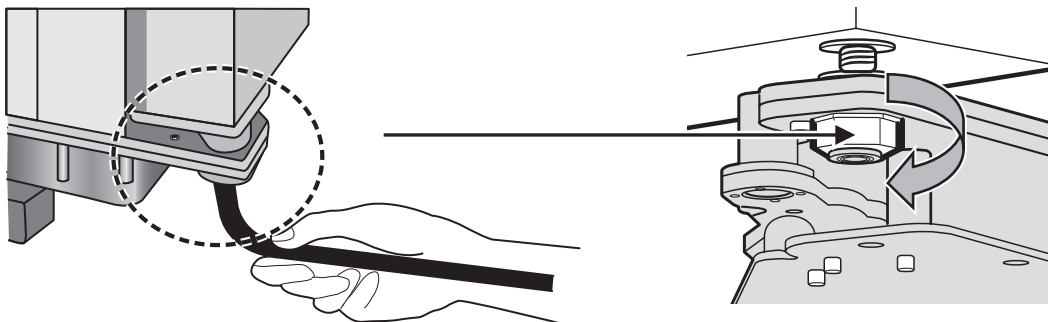
- Loosen the nut to prevent it from loosening. (Using Spanner.)



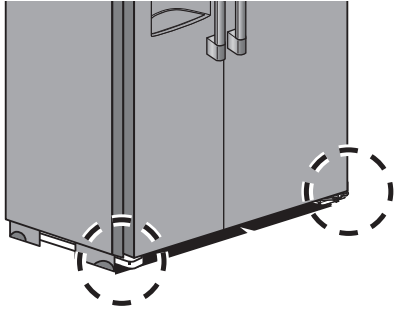
※ It is convenient to use the small hole on the back of the spanner included in the accessory box.



- Use the M6 wrench to adjust the height. (Turn clockwise to raise the refrigerator door.)



12. How to adjust the height of the product

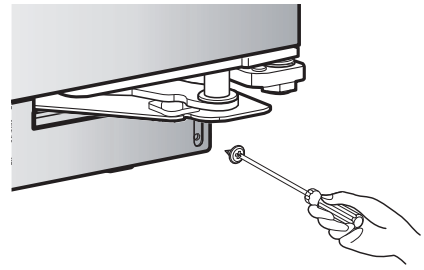
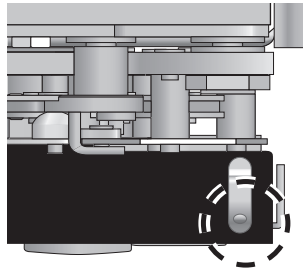
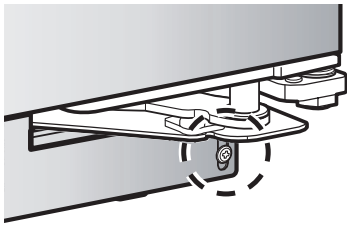


1) Use the height adjuster on the front/rear side to level the product and adjust the height on both left and right side.

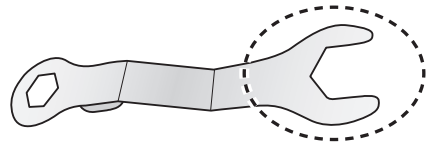
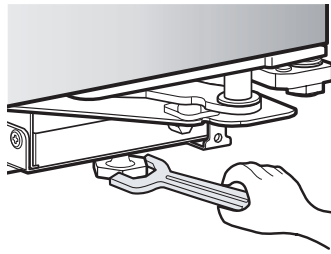
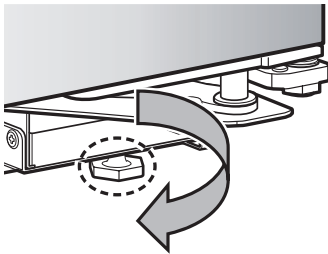
※ For built-in product, adjust the height of and level the product during the initial installation.
(For accurate height adjustment, it is recommended to contact the service center.)

2) Adjustment order (Adjustment method is same for both left and right side.)

- Disassemble the bottom grill using the (+) driver.

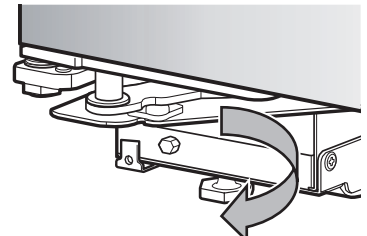
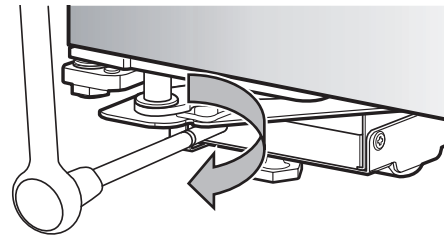
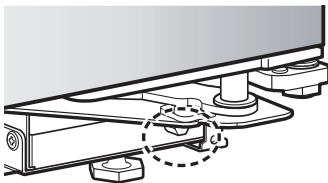


- Use the front height adjuster to adjust the height. (Turn clockwise to raise the product.)



※ It is convenient to use the small hole on the back of the spanner included in the accessory box.

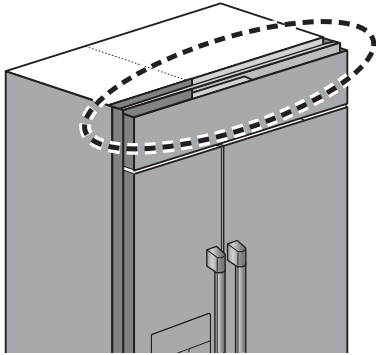
- Use the M8 spanner to adjust the height adjuster on the rear side.
(Turn clockwise to raise the product.)



※ M8 spanner is not included in the accessory box.

3) After adjusting the height, always make sure to install the bottom grill.

13. How to disassemble/reassemble the top grill



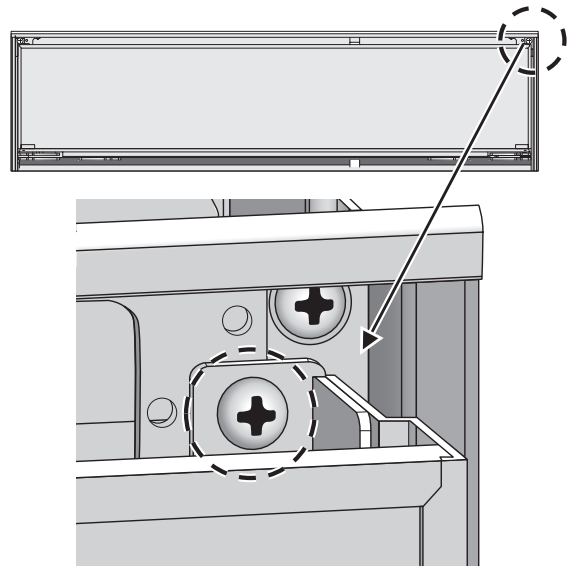
1) To adjust the left/right door, the top grill must be disassembled first.

※ Because the corners can be sharp, make sure to be careful during the task.

※ After disassembling the top grill, place it at a safe location to avoid any scratch on the panel.

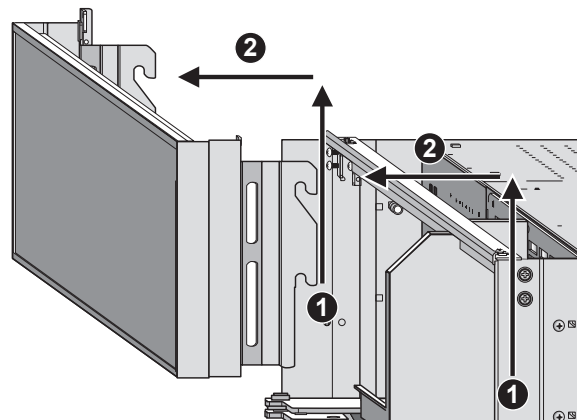
2) Top grill disassembly and reassembly order

- Loosen the indicated screws and keep them safely.
(Left and right are symmetrical)



- Lift up the top grill as shown in the picture to pull it out to the front.

※ For the safety of the customer, there is a hook on the left/right side of the top grill. If the part is separated with excessive force, it can cause an injury.



- Reassembly can be done in the reverse order.

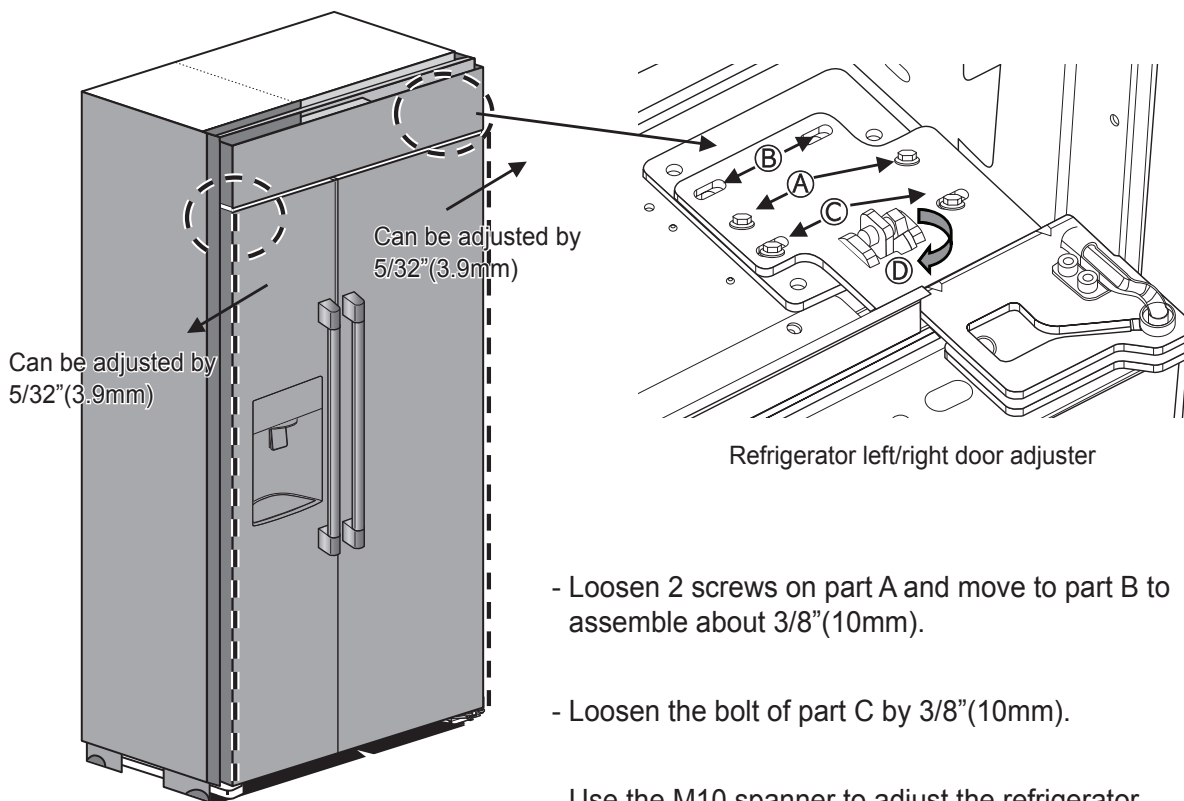
14. Left/Right door adjuster for refrigerator and freezer

1) The gap between the refrigerator and freezer is $\frac{5}{16}$ "(8mm) by factory default. If the gap between the refrigerator and freezer door changes during the product installation, use the left/right door adjuster to maintain the gap.

- The refrigerator and freezer door can be adjusted by $\frac{5}{32}$ "(3.9mm) respectively.
- M10 spanner for left/right adjustment is not included in the accessory box.
(For accurate left/right adjustment, it is recommended to contact the service center.)

2) Adjustment order

- ▶ Refrigerator left/right door adjuster



- Loosen 2 screws on part A and move to part B to assemble about $\frac{3}{8}$ "(10mm).

- Loosen the bolt of part C by $\frac{3}{8}$ "(10mm).

- Use the M10 spanner to adjust the refrigerator left/right for part D.

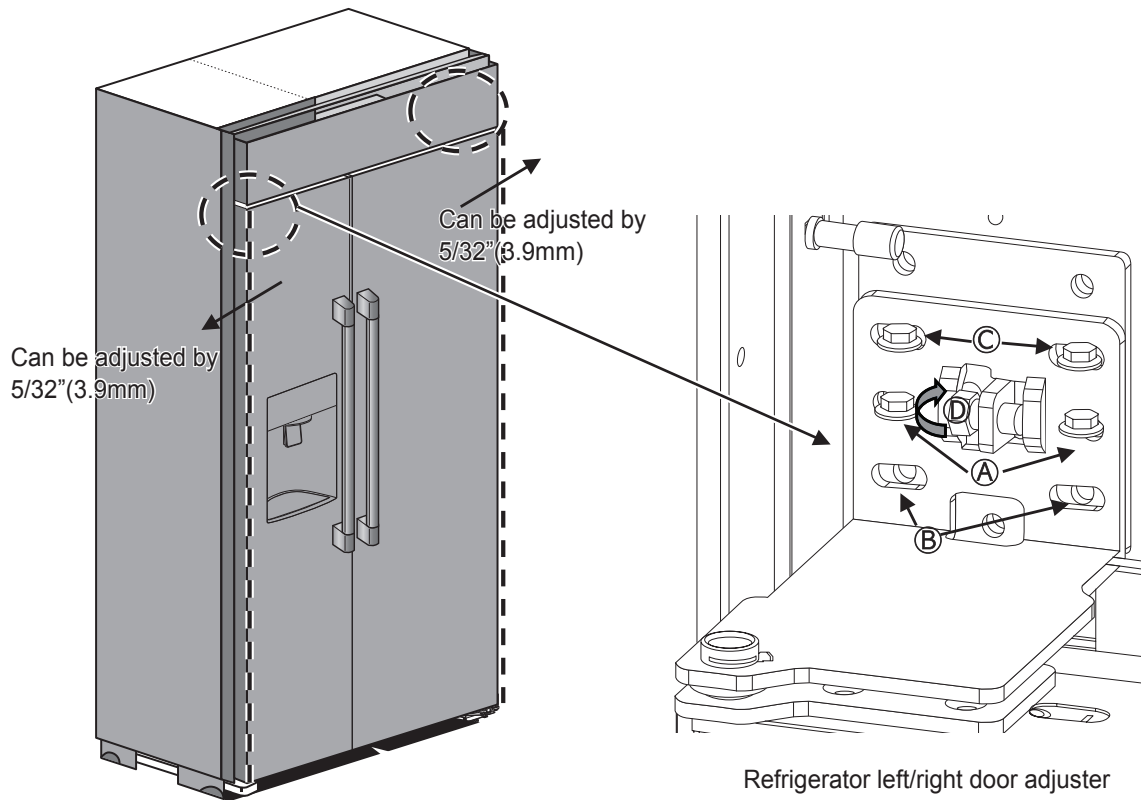
※ When part D is rotated 2 times, the refrigerator door must move by $\frac{1}{32}$ "(1mm).

※ When part D is turned counterclockwise, the product moves toward the outer side.

14. Left/Right door adjuster for refrigerator and freezer

2) Adjustment order

► Refrigerator door left/right adjuster



- . Loosen 2 screws on part A and move to part B to assemble about 3/8" (10mm).
- . Loosen the bolt of part C by 3/8" (10mm).
- . Use the M10 spanner to adjust the Freezer left/right for part D.
 - * When part D is rotated 2 times, the Freezer door must move by 1/32" (1mm).
 - * When part D is turned counterclockwise, the product moves toward the outer side.







