

SIDE-BY-SIDE REFRIGERATOR SPECIFICATIONS



DIMENSIONS & WEIGHT

Width	42"
Depth	27 1/2" (Depth with handles) 25 3/8" (Depth without Handles) 22 1/2" (Depth without Door)
Height	83 1/2"
Net Weight	538 lbs
Shipping Weight	595 lbs

CARTON

Width	44 1/8"
Depth	30 1/8"
Height	90 5/8"

WARRANTY

Limited Warranty	3 Year
------------------	--------

INFORMATION

Model	UPSXB2627S
-------	------------

SMART FUNCTION

Wi-Fi	Yes
-------	-----

CAPACITY

Refrigerator	16.25 cu. ft.
Freezer	9.35 cu. ft.
Total	25.6 cu. ft.

FEATURES

Energy Rating	ENERGY STAR®
Energy Consumption	762 kWh/Year
Ice & Water Dispenser	Yes
Dispenser Type	External Ice & Water Dispenser
Ice System	Smart Space System™
Water Filtration System	LT700P
Temperature Sensors	7 (Humidity, R-EVA def, F-Eva def 1 ea)
Linear Compressor	Quiet Operation
Temperature Controls	SmoothTouch™ External White LED
Door Alarm	Yes
LoDecibel™ Operation	40 dB
Cooling System	Multi-Air-Flow Technology

REFRIGERATOR

Cantilevered Shelves	Yes
Shelf Construction	4 Tempered Glass
Crisper Bins	3 (2 Magic Crisper)
Refrigerator Light	Surrounding LED
# of Shelves / Bin	4 Gallon Sized (3 Easy Moving Function)
Door Bin Construction	3 Piece (Clear+Opaque + Aluminium decor)

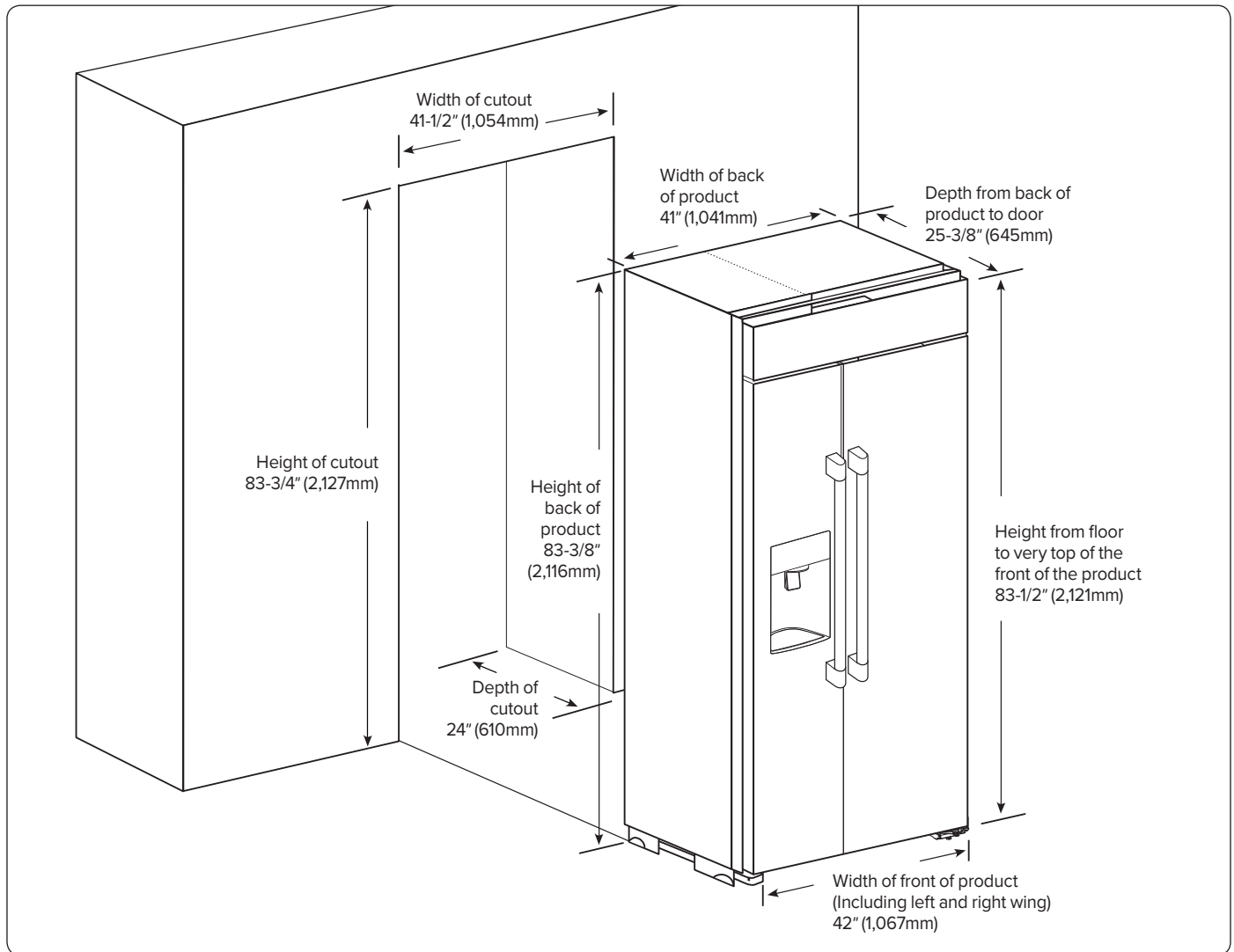
FREEZER

Door Type	Swing Doors (GlideShut™ Door)
Drawers	3
Shelf Construction	4 Tempered Glass
Freezer Light	Surrounding LED
# of Door Bins/Drawers/Construction	2 Door Bins / 3 Drawers / Plastic

DIMENSIONS AND CLEARANCES

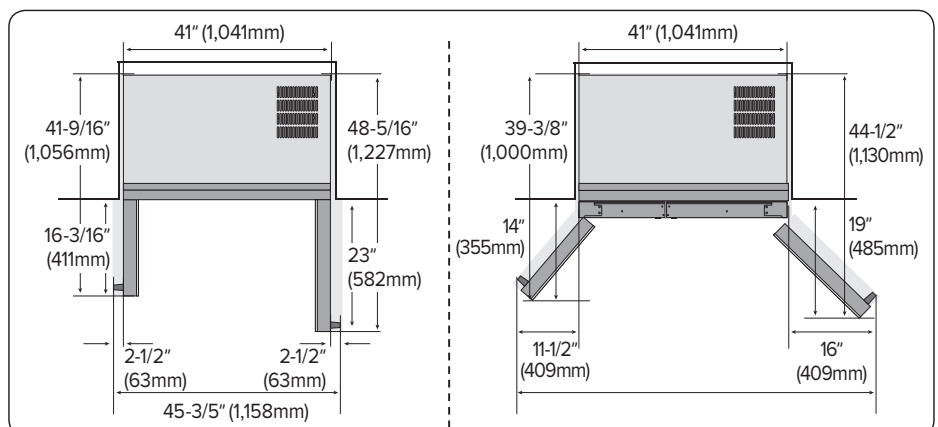
- **Product Dimension (In):** 42" (1,067mm) x 83-1/2" (2,121mm) x 25-3/8" (645mm) (W x H x D)
- **Cutout Dimension for Product Installation (In):** 41-1/2" (1,054mm) x 83-3/4" (2,127mm) x 24" (610mm) (W x H x D)

Check the dimension of the cutout to install the product against the dimension stated in the installation manual. The dimensions are the recommended dimensions to install the product. (If the cutout dimension is smaller than the recommended dimension, the product cannot be installed.)



CABINET DIAGRAM AND MAXIMUM DOOR OPENING

When installing the product on the wall near the corner, check the marked dimension to keep minimum distance to avoid the handle hitting the wall.



- Dimension when opening 90 degrees -

- Dimension when opening 130 degrees -