

WALL OVEN (SINGLE) SPECIFICATIONS



INFORMATION

Model	UPWS3044ST
-------	------------

SMART FUNCTION

Wi-Fi	Yes
-------	-----

CONTROL

Oven	Knob + Stainless Steel Touch
Display	White, Red VFD
Lock out Function	Yes

OVEN

Capacity	4.7 cu. ft.
Interior Color	Blue
Oven Cleaning	Self Cleaning & Speed Clean™
Variable Cleaning Time	Self Cleaning (3,4,5 hrs), Speed Clean™ (10 min.)
Variable Broil	Yes (Full,Center / High,Med,Low)
Bake Element	2,500 W
# of Rack Positions	5
Automatic Shut Off	12 hrs.
# of Lights	3 (Halogen Lamp)
Convection Conversion	Yes
Convection Element	Yes (2,000 W)
Proof	Yes
Variable Warm	Yes (High: 200°F, Med: 170°F, Low: 140°F)

DIMENSIONS & WEIGHT

Width	29 3/4"
Depth	24 3/8"
Height	29 5/16"
Net Weight	132 lbs
Shipping Weight	179 lbs

POWER/RATINGS

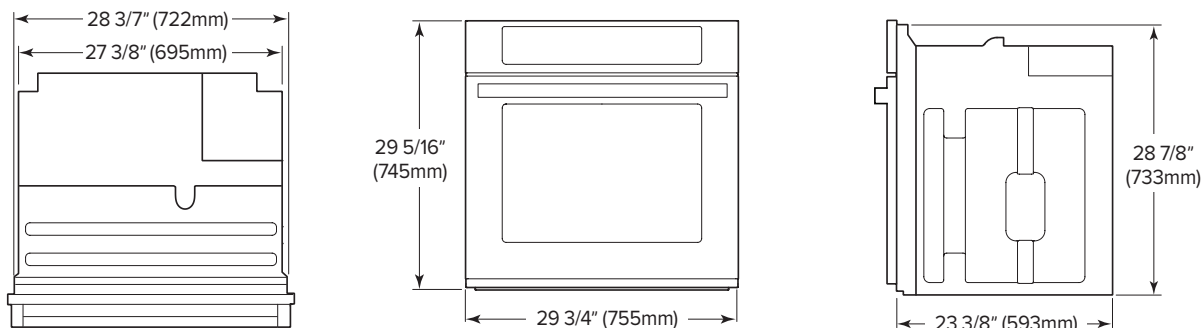
Rating	4.1 KW
Electrical Supply	240 VAC, 208 VAC
Max. Amp Load	17.1 A

WARRANTY

Limited Warranty	3 Year
------------------	--------

DIMENSIONS AND CLEARANCES

- Product Dimension



- Cutout Dimensions

Cabinet Width	30" (762mm)
Recommended Minimum Cutout Location from Floor	31" (787.4mm)
Cutout Depth	23 1/2" Min. (596.9mm)
Cutout Width	28 1/2" Min. (723.9mm) 28 5/8" Max. (727mm)
Cutout Height	28 15/16" Min. (735mm) 29" Max. (736.6mm)

