

UPCG3054ST

30-INCH GAS COOKTOP



RAPIDHEAT™ BURNER

This burner delivers 19,000 BTUs of power, allowing you to rapidly reach and maintain high temperatures for searing and stir-frying.

KNOB LIGHTING

Our knobs light up red when the burner is on so no simmer will go unnoticed.

GRIDDLE PLATE

The non-stick coated griddle accessory provides an extra-large cooking surface for meats, pancakes or other food usually prepared in a frying pan or skillet.

WIFI-ENABLED

With burner monitoring and push notifications, you can make sure your cooktop is operating perfectly, even when you step away from the kitchen. You'll also be able to ensure everything is running smoothly with Smart Diagnosis.

Innovation

WiFi-Enabled for SmartThinQ® Control with iPhone / Android App	Yes
--	-----

Cooktop Features

Cooktop Surface	Stainless Steel
Number of Burners / Elements	5
Sealed Gas Burners (Brass)	Yes
Fuel Type	LNG / LPG
Continuous Grates	3
Dishwasher Safe Grates	Yes
Cooktop Control Knobs with Red LED Back Lighting	Yes

Cooktop Performance

Burner Power BTU/h (NG)	
Left Rear	9,100 / 9,100
Right Rear	5,000 / 5,000
Center Rear (RapidHeat)	19,000 / 15,000
Left Front	9,100 / 9,100
Right Front	12,000 / 9,500

Technical Specs

Energy Source Gas	Gas
Alternative Energy Source LP Gas	LP Gas
LP Conversion Kit Included	Yes
Required Power Supply	120VAC, 60Hz

UPCG3054ST

30-INCH GAS COOKTOP

Dimensions and Weight

Overall Width	30" (762 mm)
Overall Height Including Grates	5 1/4" (133.2 mm)
Overall Depth	21 11/16" (550.9 mm)
Net Weight (approx.)	44.53 lbs.
Shipping Weight (approx.)	53.57 lbs.

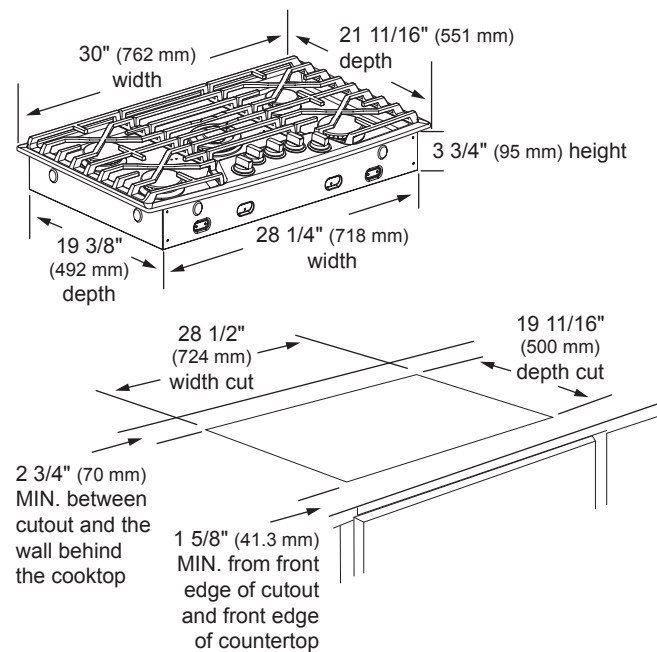
Accessories

Included Accessories	Griddle Plate
----------------------	---------------

Warranty Summary*

Limited Warranty, Parts & Labor	2 Years
Additional 1 Year When Product Registration is Completed Online with Owner Opt-in for Wi-Fi Monitoring	Yes

COOKTOP AND CUTOUT DIMENSIONS



To ensure accuracy, it is best to make a template when cutting the opening in the counter

*These warranties give you specific legal rights and you may have other rights that vary from state to state. For complete warranty details, refer to your Use & Care manual.

UPCG3054ST 30-INCH GAS COOKTOP

DIMENSIONS AND CLEARANCES

Provide enough clearances between the cooktop and adjacent combustible surfaces. These dimensions must be met for safe use of your cooktop. The location of the Electrical outlet and pipe opening may be adjusted to meet specific requirements. The cooktop may be placed with 2 3/4" clearance to the back wall.

MAINTAIN THE FOLLOWING MINIMUM CLEARANCE DIMENSIONS

