

# UPFXC2466S

## 36-INCH COUNTER-DEPTH FRENCH DOOR REFRIGERATOR

**SIGNATURE**  
KITCHEN SUITE



### DOOR-IN-DOOR™

Save time with storage ingeniously hidden inside the refrigerator door—and save 47% cooling air loss\*.

### SMART COOLING PLUS® SYSTEM

The Linear Compressor and Dual Evaporators react quickly to humidity and temperature levels and help keep food fresher, longer.

### SMARTSPACE SYSTEM™

Our "invisible" ice system is built into the freezer door, giving you even more room for storage.

### EXTERNAL WATER DISPENSER

The water dispenser delivers cold, fresh, filtered water with a simple touch.

### 3-TIER ORGANIZATION FREEZER

Keep food organized and easily accessible so you can find anything fast.

### WIFI-ENABLED

With SmartThinQ™ technology, you can control your refrigerator from anywhere. Use your phone to access energy monitoring, delay defrost, and check on performance with Smart Diagnosis.

\*Percent reduction in exchange rate of air between opening the door-in-door compared to one French door for 10 seconds. Results based on testing of comparable model with same Door-in-Door design. Results may vary by model and the duration of time the door remains open.

### Style

Counter-Depth	Yes
Door-in-Door™	Yes

### Innovation

Wi-Fi-Enabled for SmartThinQ® Control with iPhone / Android App	Yes
Inverter Linear Compressor	Yes

### Performance

Evaporator / Compressor System	Dual
Adaptive Defrost	Yes

### Modes

Ice Plus, Demo, Icemaker On / Off, Power On / Off, Temp Control, Water Filter Reset, Smart Diagnosis, WiFi, Smart Grid

Water Filter (6 Months)	Yes
-------------------------	-----

### Capacity and Storage

Total Capacity (cu. ft.)	23.5 cu. ft.
Refrigerator	
Storage Shelves	4 Adjustable, 1 Fixed
Fresh Filters	2
Folding Shelf	Yes
Shelf Construction	Spill Protector™ Tempered Glass
Crisper Bins	2-Humidity Crispers, 1 Condiment Box
Glide N' Serve™ Drawer with Digital Controls	Yes
Freezer	
Drawer Type	Pull-out Drawer
3-Tier Organization	Yes
DuraBase™ Solid Drawer Base	Yes
Ice Bin	Yes

© 2019 Signature Kitchen Suite. All rights reserved. Design, features and specifications are subject to change without notice. Specifications are for planning purposes only. Consult the product's installation instructions for final dimensional data and other details prior to making cutouts or custom panels. Consult with a heating and ventilation engineer for your specific ventilation requirements. Non-metric weights and measurements are approximate. Smart features require Internet access.

1-855-790-6655 | [www.signaturekitchensuite.com](http://www.signaturekitchensuite.com)

**UPFXC2466S**  
**36-INCH COUNTER-DEPTH**  
**FRENCH DOOR REFRIGERATOR**

**General Features**

SmoothTouch™ Stainless Steel Controls w/White LED Display	Yes (External)
Water Filter Indicator	Yes
Ice Production (24 Hrs.)	2.5 lbs.
Ice On / Off	Yes
Premium LED Interior Lighting	Yes
Maximum Sound Level	42 dBA
ENERGY STAR® Certified	Yes
Energy Consumption	716 kWh/Year
External Ice & Water Dispenser	Yes
Smart Grid Ready	Yes
Ice System	Slim Spaceplus™
Smart Cooling Plus System	Yes
Temperature Sensors	10
Door Alarm	Yes
Cooling System	Multi-Air-Flow Technology

**Technical Specs**

Required Power Supply	115 V, 60 Hz, 15 or 20 Amp
Plug Type	3-Prong
Power Cord Length	86 1/2"

**Dimensions and Weight**

Overall Width (inches)	35 3/4
Overall Height (inches)	70 1/4
Overall Depth with Handles (inches)	30 3/4
Overall Depth without Handles (inches)	28 1/4
Overall Depth without Door (inches)	24
Net Weight (approx.)	328 lbs.
Shipping Weight (approx.)	359.4 lbs.

**Optional Accessories**

Replacement Water Filter	LT700P
--------------------------	--------

**Warranty Summary\***

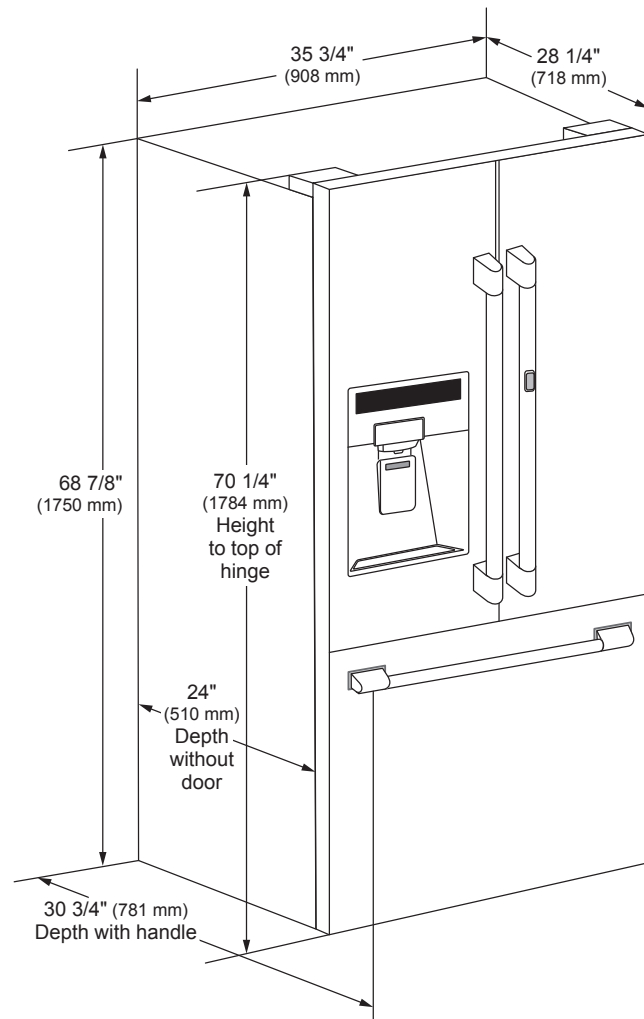
Limited Warranty, Parts & Labor	2 Years
Additional 1 Year When Product Registration is Completed Online with Owner Opt-in for WiFi Monitoring	Yes
Limited Warranty on Sealed System, Parts and Labor	3 Years
Limited Warranty on Sealed System, Parts Only	7 Years

\*These warranties give you specific legal rights and you may have other rights that vary from state to state. For complete warranty details, refer to your Use & Care manual.

**UPFXC2466S**  
**36-INCH COUNTER-DEPTH**  
**FRENCH DOOR REFRIGERATOR**

**OVERALL PRODUCT DIMENSIONS**

**FRONT VIEW**



**Notes**

Check the dimension of the cutout to install the product against the dimension stated in the installation manual. The dimensions are the recommended dimensions to install the product. (If the cutout dimension is smaller than the recommended dimension, the product cannot be installed.)

**Clearances**

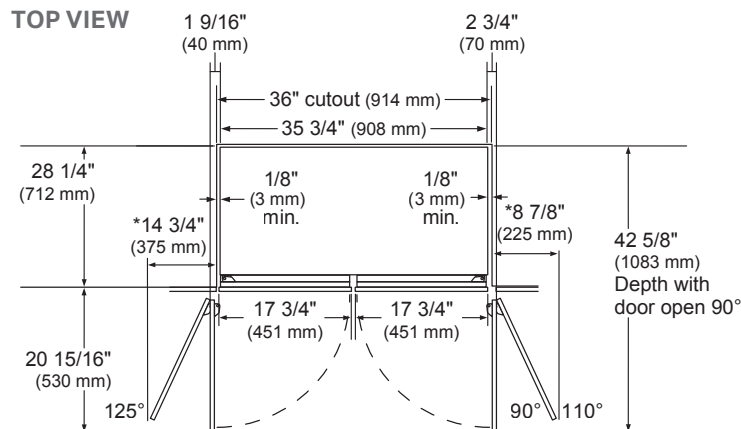
The installation must allow for clearances to adjacent walls or cabinets. This refrigerator is equipped with a 2-position door stop. The factory-set 110° door swing can be adjusted to 90° if clearance to adjacent cabinets or walls is restricted.

A minimum of 2" (50 mm) clearance to the back wall is required.

A minimum of 2" (50 mm) clearance above the refrigerator is required.

A minimum of 24" (610 mm) in front of the refrigerator is required.

**TOP VIEW**



\*Add 2 1/2" (63 mm) for door handle