

SKSMD2401S MICROWAVE OVEN DRAWER

SIGNATURE
KITCHEN SUITE



1.2 CU. FT. OVEN CAPACITY

1.2 cu. ft. capacity is designed to provide plenty of room to heat large items like casserole dishes and dinner platters.

EASY TOUCH AUTOMATIC DRAWER

The Easy Touch Automatic Drawer system eases open with a gentle pull or the touch of a button. Give the drawer a small nudge and it smoothly shuts for you. The even, gliding action and solid construction prevents liquids from spilling during opening and closing.

EASYSKIN® INTERIOR

Assisted by a special anti-bacterial coating, the interior resists stains and buildup, so cleaning the microwave drawer is as easy as wiping with a damp cloth.*

SMOOTHTOUCH™ GLASS CONTROLS

Intuitive SmoothTouch™ Glass Controls not only look sleek but make operating the microwave drawer easy with just a touch. The seamless controls are also easy to wipe clean.

INSTALLATION FLEXIBILITY

Flexible installation options include below an island, peninsula or standard cabinetry and can also be installed adjacent to a wall oven.

Features

Capacity	1.2 cu. ft.
Power Output	900 W
Sensor Cooking	Yes
Drawer Opening	Easy Touch Automatic
EasyClean® Interior	Yes
Lighting	Incandescent
24-Inch Flush Mount Deflector Vent Kit for Flush Installation	Included

Cooking Menu

Display Type	SmoothTouch™ Glass Touch
Power Levels	11
Sensor Touch Cooking / Reheat Options	12 (Baked Potatoes, Sweet Potatoes, Fish / Seafood, Brown Rice, White Rice, Quick Fresh Vegetables, Longer Fresh Vegetables, Steamer Bag, Frozen Vegetables, Ground Meat, Frozen, Beverage Reheat)
Defrost Options	6 (Ground Meat, Steaks/Chops, Boneless Poultry, Bone-in Poultry, Roast, Casserole/ Soup)
Minute Plus™	Yes
Keep Warm	Up to 30 Minutes
Stop/Clear, Start/Enter	Yes
Completion Beeper	Yes
Energy Saving Mode	Yes (Dims Display After 3 Minutes of Inactivity)
Kitchen Timer/Clock	Yes
Child Safety Lock	Yes

*Heavy build-up may require additional manual effort.

© 2020 Signature Kitchen Suite. All rights reserved. Design, features and specifications are subject to change without notice. Specifications are for planning purposes only. Consult the product's installation instructions for final dimensional data and other details prior to making cutouts or custom panels. Consult with a heating and ventilation engineer for your specific ventilation requirements. Non-metric weights and measurements are approximate. Smart features require Internet access.

1-855-790-6655 | www.signaturekitchensuite.com

SKSMD2401S MICROWAVE OVEN DRAWER

Technical Specs

Required Power Supply	120V, 60Hz / 14.5 Amps
Plug Type	3-Prong
Power Cord Length (inches)	48

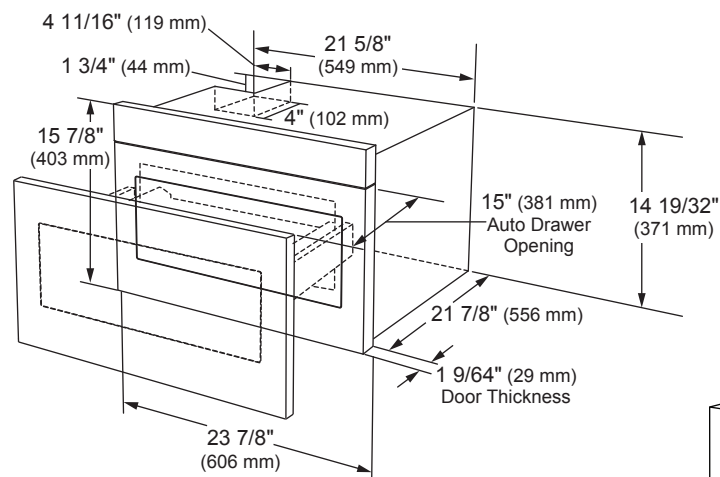
Dimensions and Weight

Overall Exterior Width (inches)	23 7/8
Overall Exterior Height (inches)	15 7/8
Overall Exterior Depth (inches)	23 1/64
Required Cutout Width (inches)	22 1/8
Required Cutout Height (inches)	15 9/16
Required Cutout Depth (inches)	23 1/2
Interior Width (inches)	17 5/16
Interior Height (inches)	7 1/8
Interior Depth (inches)	16 9/16
Net Weight (approx.)	74 lbs
Shipping Weight (approx.)	88 lbs

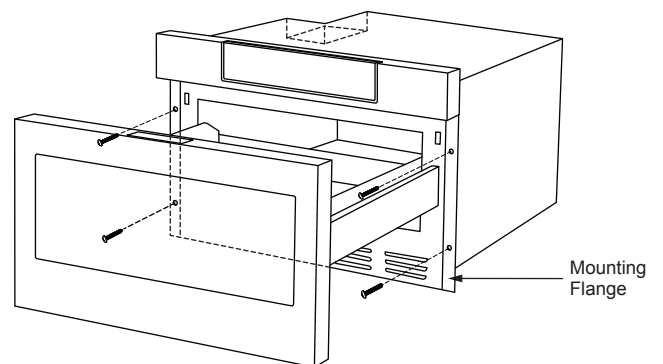
Warranty Summary*

Limited Warranty, Parts & Labor (In Home Service)	2 Year
Limited Warranty on Magnetron (In Home Service)	10 Years
Additional 1 Year When Product Registration is Completed Online with Owner Opt-in for WiFi Monitoring	Yes

OVERALL PRODUCT DIMENSIONS



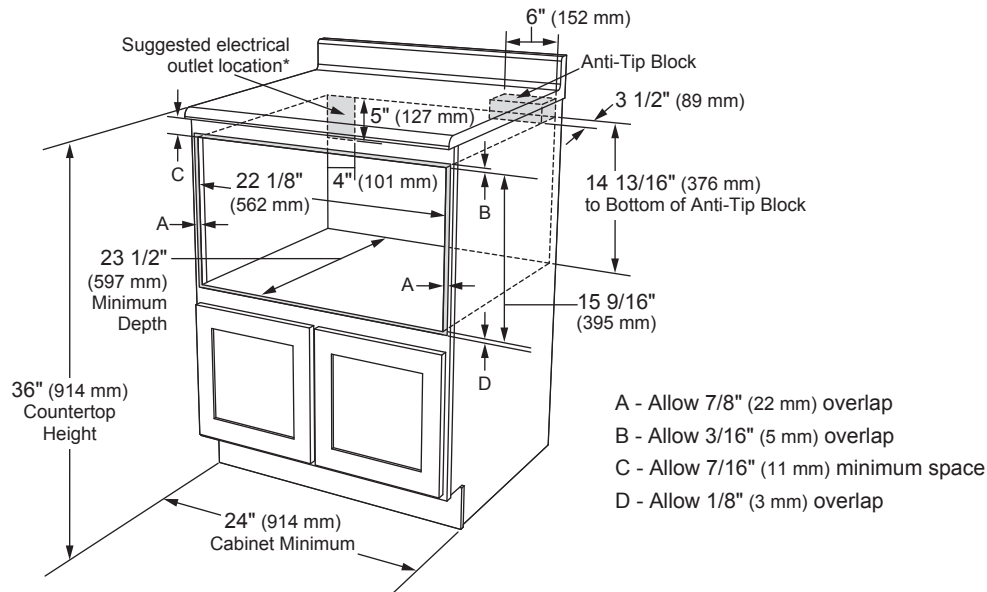
MOUNTING SCREW LOCATIONS



*These warranties give you specific legal rights and you may have other rights that vary from state to state. For complete warranty details, refer to your Use & Care manual.

SKSMD2401S MICROWAVE OVEN DRAWER

STANDARD (PROUD) INSTALLATION



*Can also be installed using an electrical outlet in an adjacent cabinet within the area where the provided electrical cord can reach. Power cord access hole in cabinet should be a minimum 1 1/2" (38 mm) diameter hole and deburred of all sharp edges.

Notes

The microwave drawer can be installed by itself or below any electric or gas wall oven.

The floor of the opening should be constructed of plywood strong enough to support the weight of the oven (about 100 pounds).

Electrical

A 120V, 60Hz grounded power receptacle should be installed at the back of the cabinet opening.

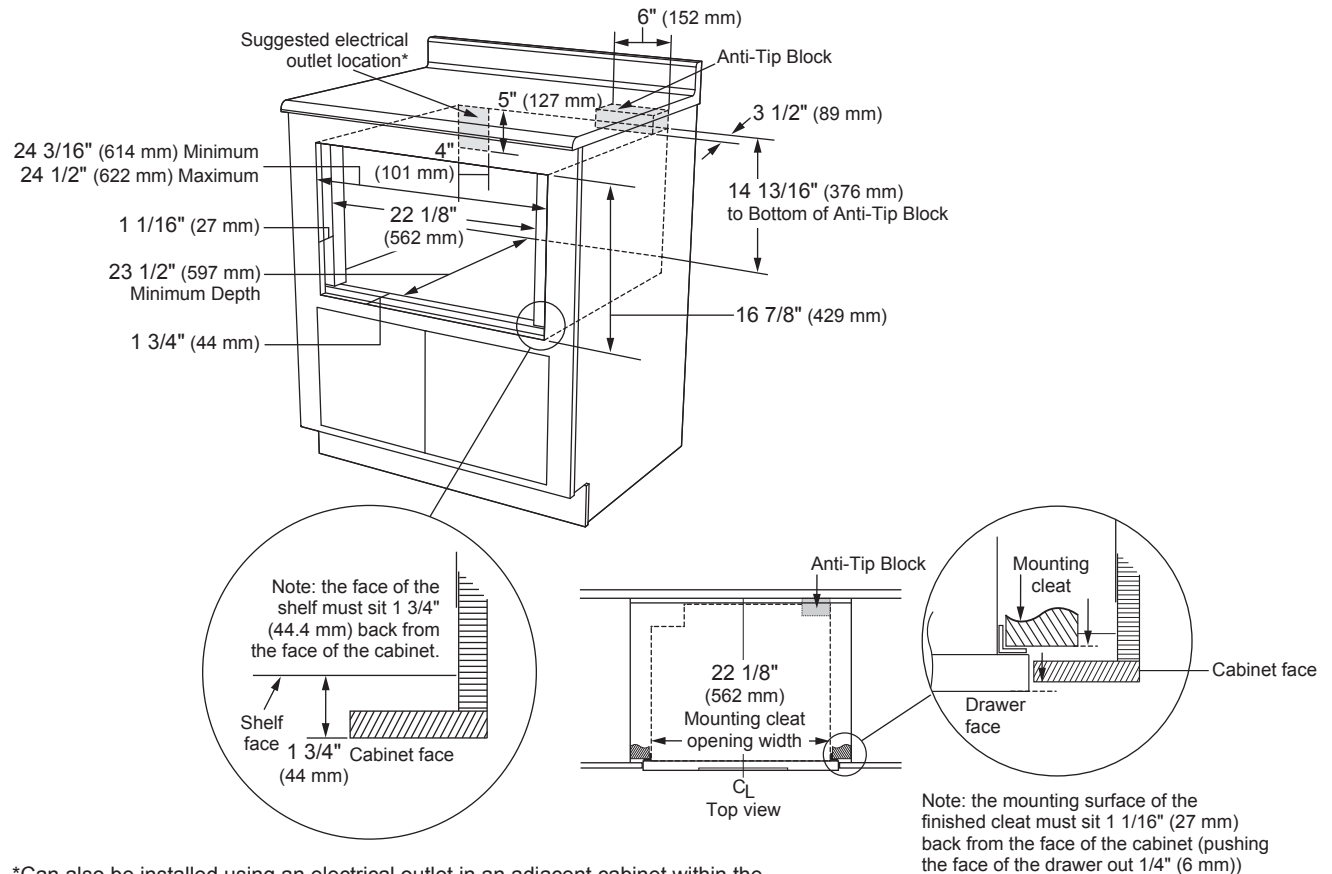
Warning

Be sure that the clearance of the floor between the wall oven and the microwave drawer is a minimum of 2-inches.

SKSMD2401S MICROWAVE OVEN DRAWER

A growing trend in the installation of kitchen appliances is mounting flush. This allows the consumer to present their appliances with a clean, flush with the cabinet face appearance. In this installation type, there are two ways to accomplish this look: 1/4" front extended and true flush.

FLUSH (1/4" FRONT EXTENDED) INSTALLATION



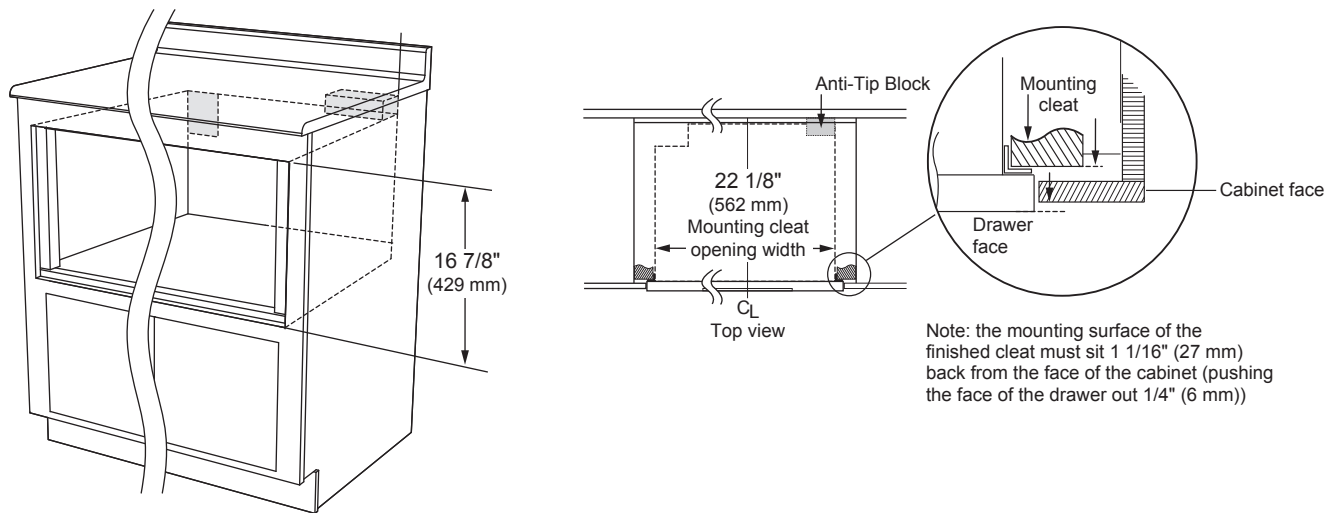
*Can also be installed using an electrical outlet in an adjacent cabinet within the area where the provided electrical cord can reach. Power cord access hole in cabinet should be a minimum 1 1/2" (38 mm) diameter hole and deburred of all sharp edges.

Notes

In the 1/4" front extended application, the appliance can be mounted slightly "proud" of the cabinet cutout, which will create a flush appearance. Having the 1/4" extension also allows to hide the cabinet cutout edges.

SKSMD2401S MICROWAVE OVEN DRAWER

TRUE FLUSH INSTALLATION



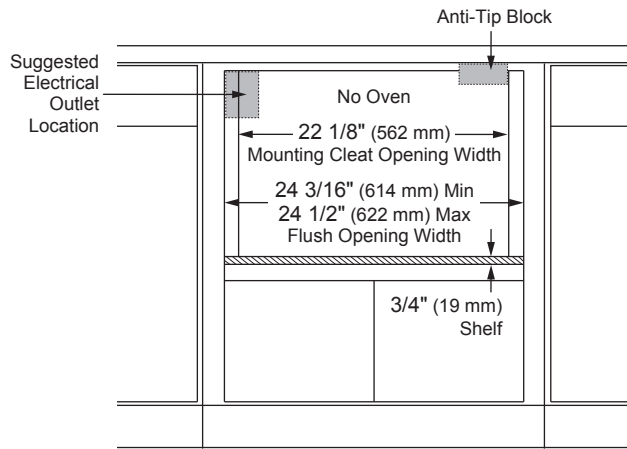
*Can also be installed using an electrical outlet in an adjacent cabinet within the area where the provided electrical cord can reach. Power cord access hole in cabinet should be a minimum 1 1/2" (38 mm) diameter hole and deburred of all sharp edges.

Notes

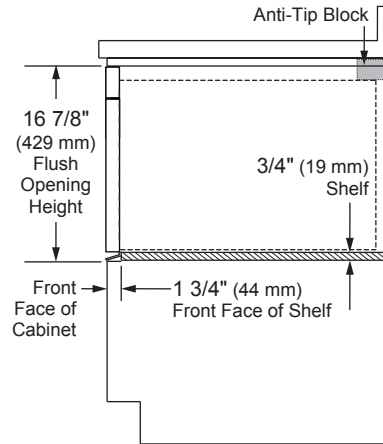
In the true flush application, the appliance is mounted just as described, truly flush with the cabinet face. However, due to the appliance face and the cabinet face being on the same plane, the cabinet cutout edges will be visible and exposed. It is recommended in this true flush installation to finish / stain these edges.

SKSMD2401S
MICROWAVE OVEN DRAWER

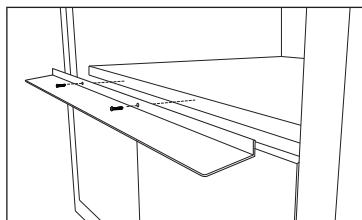
FLUSH INSTALLATION DEFLECTOR VENT



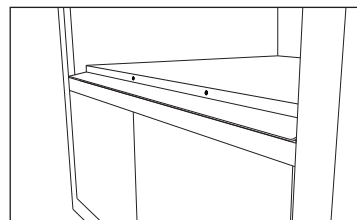
Front View



Side View



Shelf detail showing the deflector vent during installation.
 Position deflector vent and mark holes.
 Pre drill using a 1/16" (1.57 mm) bit before mounting.



Shelf detail showing the deflector vent installed.