

# SKSSV3001S

## SINGLE WALL OVEN WITH STEAM ASSIST

**SIGNATURE**  
KITCHEN SUITE



### TRUE CONVECTION COOKING

The convection cooking system utilizes a third element and fan to cook food quickly and evenly, on every rack.

### STEAM-ASSIST CONVECTION OVEN

Versatile oven combines steam and convection cooking for gourmet results. The convection system cooks food quickly and evenly while steam helps to preserve texture, appearance and taste.

### STEAM SOUS VIDE COOKING MODE

Enjoy sous vide results right in the spacious oven, without preheating. Achieve delicious results that are moist and tender on the inside, crisp and flaky on the outside, all with minimal effort.

### SPEED-CLEAN™

Makes fast work of cleaning a lightly-soiled oven with just a ten minute cycle, using only water.

### GLIDESHUT™ DOOR

The door opens and closes gently with grace and elegance.

### WI-FI ENABLED FOR SMART CONTROL

The innovative wi-fi feature, powered by SmartThinQ® Technology, lets you cook and monitor from anywhere.

### Innovation

Wi-Fi-Enabled for SmartThinQ® Control with iPhone / Android App	Yes
---	-----

### Oven Features & Performance

Oven Type	Steam Assisted Convection
Capacity	4.7 cu. ft.
Cooking Modes	Convection Bake, Convection Roast, Bake, Broil, Gourmet Chef, Steam Cook, Steam-Assist, Gourmet Steam, Steam Sous Vide, Warm, Proof, My Recipe
Interior	Blue, Easy Clean®
Oven Cleaning	Self Cleaning & Speed-Clean™
Variable Cleaning Time	Self Cleaning (3,4,5 hrs), Speed-Clean™ (10 min.)
Variable Broil	Yes (Full, Center / High, Med, Low)
Broil Element	2,500 W / 1,500 W
Bake Element	2,500 W
Steam Element	720 W
GlideShut™ Door	Yes
Oven Racks	2 Gliding, 1 Heavy Duty
# of Rack Positions	5
Oven Meat Probe	Yes
Automatic Shut Off	12 hrs.
# of Lights	3 (Halogen Lamp)
Convection System	True Convection
Convection Conversion	Yes
Convection Element	Yes (2,000 W)
Proof	Yes
Variable Warm	Yes (High: 200°F, Med: 170°F, Low: 140°F)

© 2020 Signature Kitchen Suite. All rights reserved. Design, features and specifications are subject to change without notice. Specifications are for planning purposes only. Consult the product's installation instructions for final dimensional data and other details prior to making cutouts or custom panels. Consult with a heating and ventilation engineer for your specific ventilation requirements. Non-metric weights and measurements are approximate. Smart features require Internet access.

1-855-790-6655 | [www.signaturekitchensuite.com](http://www.signaturekitchensuite.com)

# SKSSV3001S

## SINGLE WALL OVEN WITH STEAM ASSIST

**SIGNATURE**  
KITCHEN SUITE

### Controls

Oven	Knob+Stainless Steel Touch
Display	White, Red VFD
Electronic Clock & Timer	Yes
Lock Out Function	Yes
Delay Start Time	Yes
Preheat Alarm Light	Yes
Audible Preheat Signal	Yes
Cooking Complete Reminder	Yes
Temperature Display (F or C)	Yes
Language Options	English, Spanish, French

### Technical Specs

Rating	8.2 KW
Electrical Supply	240 VAC, 208 VAC
Max. Amp Load	34.2 A

### Dimensions and Weight

Overall Width (inches)	29 3/4
Overall Depth Including Door (inches)	24 15/32
Overall Depth Including Handle (inches)	26 63/64
Overall Depth with Door Open (inches)	45 21/32
Overall Height (inches)	29 5/16
Net Weight (approx.)	132 lbs
Shipping Weight (approx.)	179 lbs

### Accessories

Included Accessories
Broiler Pan, Steam Pan, 2 Gliding Racks, Heavy Duty Rack, Meat Probe, Cleaning Pad

### Warranty Summary\*

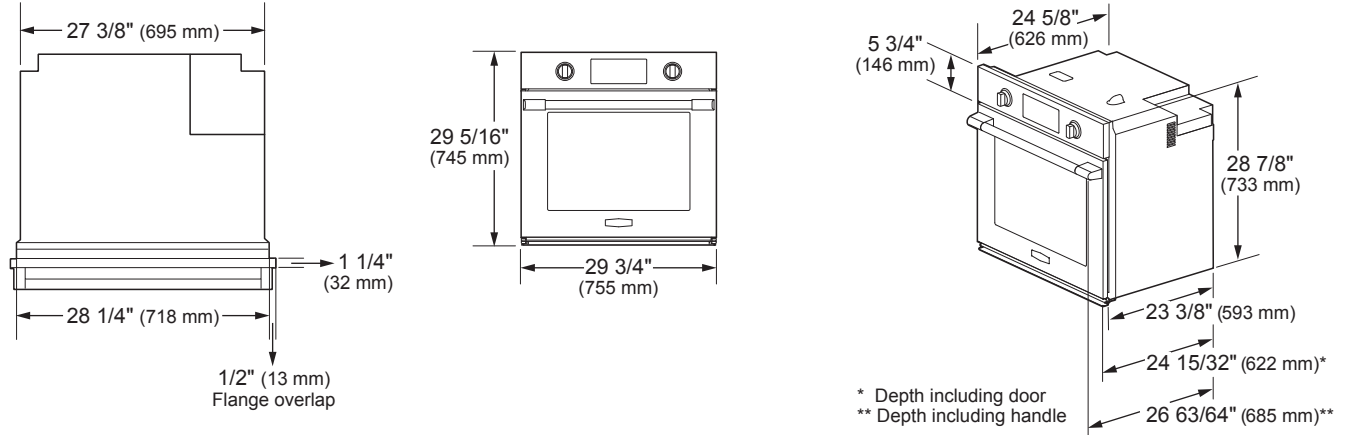
Limited Warranty, Parts & Labor	2 Years
Additional 1 Year When Product Registration is Completed Online with Owner Opt-in for Wi-Fi Monitoring	Yes

\*These warranties give you specific legal rights and you may have other rights that vary from state to state. For complete warranty details, refer to your Use & Care manual.

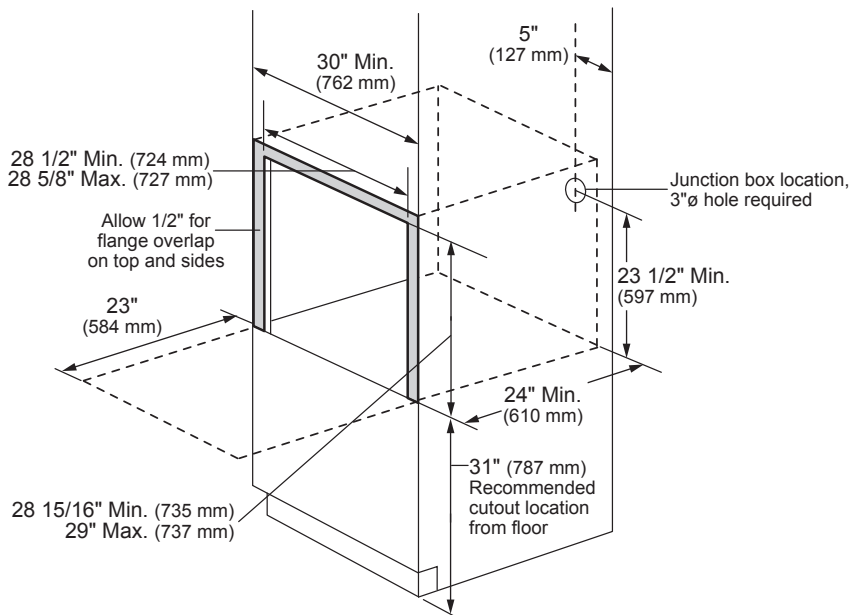
# SKSSV3001S

## SINGLE WALL OVEN WITH STEAM ASSIST

### PRODUCT DIMENSIONS



### CUTOUT DIMENSIONS – PROUD INSTALLATION IN WALL CABINET



Refer to the Wall Oven Planning Installation Guide for flush installation, undercounter installation and single oven with microwave and trim kit installed in wall cabinet.