

SKSMC2401S COURTERTOP MICROWAVE OVEN

SIGNATURE
KITCHEN SUITE



2.0 CU. FT. OVEN CAPACITY

2.0 cu. ft. capacity is designed to provide plenty of room to heat large items like casserole dishes and dinner platters.

SMART INVERTER

Precise, variable power provides more even cooking and better defrosting, when compared to a microwave without a smart inverter. Food is heated evenly and all the way through — without overcooked edges.

EASYSOAN® INTERIOR

Assisted by a special anti-bacterial coating, the interior resists stains and buildup, so cleaning the microwave is as easy as wiping with a damp cloth.*

SMOOTHTOUCH™ GLASS CONTROLS

Intuitive SmoothTouch™ glass controls not only look sleek but make operating the microwave easy with just a touch. The seamless controls are also easy to wipe clean.

LED INTERIOR LIGHT

Bright LED lighting makes it easy to check on the progress of food while offering greater energy efficiency than incandescent lighting.

BUILT-IN TRIM KIT

The optional trim kit allows for installation of the countertop microwave oven into either an existing cabinet or over a single built-in oven.

Features

Capacity	2.0 cu. ft.
Power Output	1,200 W
Sensor Cooking	Yes
EasyClean® Interior	Yes
Turntable Diameter	16 inches
Lighting	White LED
Optional 30-Inch Trim Kit	MK2030NST

Cooking Menu

Display Type	SmoothTouch™ Glass Touch
Power Levels	10
Sensor Touch Cooking Options	7 (Potato, Fresh Vegetable, Frozen Vegetable, Frozen Entrée, Bacon, Rice, Soften Butter)
Sensor Touch Reheat Options	5 (Beverage, Casserole, Pizza, Dinner Plate, Pie)
Defrost Options	4 (Meat, Poultry, Fish, Bread)
Stop/Clear, Start/Enter	Yes
Completion Beeper	Yes
Energy Saving Button	Yes (Turns Off LED Display)
Kitchen Timer/Clock	Yes
Child Safety Lock	Yes



*Heavy build-up may require additional manual effort.

© 2020 Signature Kitchen Suite. All rights reserved. Design, features and specifications are subject to change without notice. Specifications are for planning purposes only. Consult the product's installation instructions for final dimensional data and other details prior to making cutouts or custom panels. Consult with a heating and ventilation engineer for your specific ventilation requirements. Non-metric weights and measurements are approximate. Smart features require Internet access.

1-855-790-6655 | www.signaturekitchensuite.com

SKSMC2401S COURTERTOP MICROWAVE OVEN

Technical Specs

Required Power Supply	120 V, 60 Hz, 15 Amp
Plug Type	3-Prong
Power Cord Length (inches)	39

Dimensions and Weight (without Optional Trim Kit)

Overall Exterior Width (inches)	23 7/8
Overall Exterior Height (inches)	13 9/16
Overall Exterior Depth (inches)	19 5/16
Interior Width (inches)	16 11/16
Interior Height (inches)	11 1/4
Interior Depth (inches)	18 1/16
Net Weight (approx.)	36 lbs
Shipping Weight (approx.)	41 lbs

Dimensions with Optional Trim Kit, MK2030NST

Trim Kit Width (inches)	29 23/32
Trim Kit Height (inches)	19 1/16
Trim Kit Depth (inches)	1 3/32
Required Cutout Width (inches)	25 1/2
Required Cutout Height (inches)	16 3/4
Required Cutout Depth (inches)	19 1/2 or 22

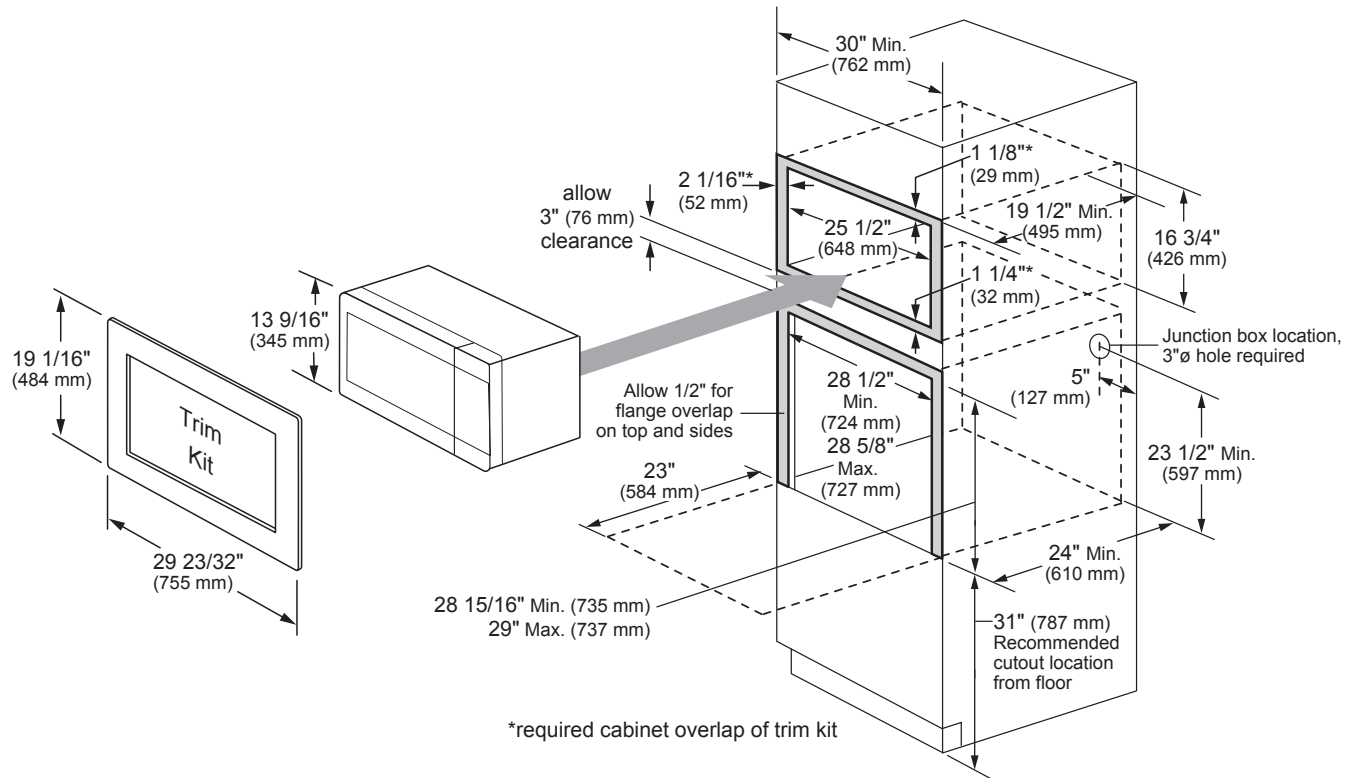
Warranty Summary*

Limited Warranty, Parts & Labor (In Home Service)	3 Years
Limited Warranty on Magnetron (In Home Service)	10 Years

*These warranties give you specific legal rights and you may have other rights that vary from state to state. For complete warranty details, refer to your Use & Care manual.

SKSMC2401S COURTERTOP MICROWAVE OVEN

CUTOUT DIMENSIONS – INSTALLATION WITH OPTIONAL TRIM KIT AND SINGLE WALL OVEN



Notes

The optional trim kit allows for installation of the countertop microwave oven into either an existing cabinet or over a single built-in oven.

For installation above a built-in oven, the microwave oven should be installed on a 3/8" plywood base and supported by 2x4 or 1x2 equivalent runners on all sides. Base must support a minimum of 100 lbs.

A 120V, 60Hz grounded power receptacle should be installed at the back of the cabinet opening.

Warning

The trim kit uses air flow from the top, bottom and sides of the trim frame. Blocking the air flow can cause the microwave to function improperly and may cause damage to the microwave.

Allow an additional 1" of clearance beyond the trim kit on all sides to provide proper air flow.