

# UPWD3034ST DOUBLE WALL OVEN

**SIGNATURE**  
KITCHEN SUITE



### TRUE CONVECTION COOKING

The convection cooking system utilizes a third element and fan to cook food quickly and evenly, on every rack.

### SPEED-CLEAN™

Makes fast work of cleaning a lightly-soiled oven with just a ten minute cycle, using only water.

### GLIDESHUT™ DOOR

The door opens and closes gently with grace and elegance.

### WI-FI ENABLED FOR SMART CONTROL

The innovative wi-fi feature, powered by ThinQ® Technology, lets you cook and monitor from anywhere with the Signature Kitchen Suite app.

### Innovation

|  |     |
|--|-----|
| Wi-Fi-Enabled for ThinQ® Control with iPhone / Android App | Yes |
|--|-----|

### Upper Oven Features & Performance

|   |   |
|---|---|
| Oven Type   | Convection  |
| Capacity  | 4.7 cu. ft.                                       |
| Cooking Modes   |   |
| Convection Bake, Convection Roast, Crisp Convection, Roast, Broil, Bake, Warm, Proof, Pizza |   |
| Interior  | Blue, Easy Clean®                                 |
| Oven Cleaning   | Self Cleaning & Speed-Clean™                      |
| Variable Cleaning Time  | Self Cleaning (3,4,5 hrs), Speed-Clean™ (10 min.) |
| Variable Broil  | Yes (Full, Center / High, Med, Low)               |
| Broil Element   | 2,500 W / 1,500 W                                 |
| Bake Element  | 2,500 W   |
| GlideShut™ Door   | Yes   |
| Oven Racks  | 2 Gliding, 1 Heavy Duty                           |
| # of Rack Positions   | 5   |
| Oven Meat Probe   | Yes   |
| Automatic Shut Off  | 12 hrs.   |
| Convection System   | True Convection                                   |
| Convection Conversion   | Yes   |
| Convection Element  | Yes (2,000 W)                                     |
| Proof   | Yes   |
| Variable Warm   | Yes (High: 200°F, Med: 170°F, Low: 140°F)         |

© 2021 Signature Kitchen Suite. All rights reserved. Design, features and specifications are subject to change without notice. Specifications are for planning purposes only. Consult the product's installation instructions for final dimensional data and other details prior to making cutouts or custom panels. Consult with a heating and ventilation engineer for your specific ventilation requirements. Non-metric weights and measurements are approximate. Smart features require Internet access.

1-855-790-6655 | [www.signaturekitchensuite.com](http://www.signaturekitchensuite.com)

# UPWD3034ST

## DOUBLE WALL OVEN

# SIGNATURE

KITCHEN SUITE

### Lower Oven Features & Performance

|                        |   |
|------------------------|---|
| Oven Type              | Convection  |
| Capacity               | 4.7 cu. ft.   |
| Cooking Modes          | Convection Bake, Convection Roast, Crisp Convection, Roast, Broil, Bake, Warm, Proof, Pizza |
| Interior               | Blue, Easy Clean®   |
| Oven Cleaning          | Self Cleaning & Speed-Clean™  |
| Variable Cleaning Time | Self Cleaning (3,4,5 hrs), Speed-Clean™ (10 min.)   |
| Variable Broil         | Yes (Full,Center / High,Med,Low)  |
| Broil Element          | 2,500 W / 1,500 W   |
| Bake Element           | 2,500 W   |
| GlideShut™ Door        | Yes   |
| Oven Racks             | 2 Gliding, 1 Heavy Duty   |
| # of Rack Positions    | 5   |
| Oven Meat Probe        | Yes   |
| Automatic Shut Off     | 12 hrs.   |
| Convection System      | True Convection   |
| Convection Conversion  | Yes   |
| Convection Element     | Yes (2,000 W)   |
| Proof                  | Yes   |
| Variable Warm          | Yes (High: 200°F, Med: 170°F, Low: 140°F)   |

### Controls

|                              |                            |
|------------------------------|----------------------------|
| Oven                         | Knob+Stainless Steel Touch |
| Display                      | White, Red VFD             |
| Electronic Clock & Timer     | Yes                        |
| Lock Out Function            | Yes                        |
| Delay Start Time             | Yes                        |
| Preheat Alarm Light          | Yes                        |
| Audible Preheat Signal       | Yes                        |
| Cooking Complete Reminder    | Yes                        |
| Temperature Display (F or C) | Yes                        |
| Language Options             | English, Spanish, French   |

### Technical Specs

|                   |                  |
|-------------------|------------------|
| Rating            | 8.2 KW           |
| Electrical Supply | 240 VAC, 208 VAC |
| Max. Amp Load     | 34.2 A           |

### Dimensions and Weight

|   |          |
|---|----------|
| Overall Width (inches)                  | 29 3/4   |
| Overall Depth Including Door (inches)   | 24 5/8   |
| Overall Depth Including Handle (inches) | 26 63/64 |
| Overall Depth with Door Open (inches)   | 45 2/3   |
| Overall Height (inches)                 | 52 1/8   |
| Net Weight (approx.)                    | 240 lbs  |
| Shipping Weight (approx.)               | 303 lbs  |

### Accessories

|                    |   |
|--------------------|---|
| Broiler Pan        | 1 |
| Grid               | 1 |
| Meat Probe         | 1 |
| Heavy Duty Rack    | 2 |
| Gliding Rack       | 4 |
| Spray Water Bottle | 1 |

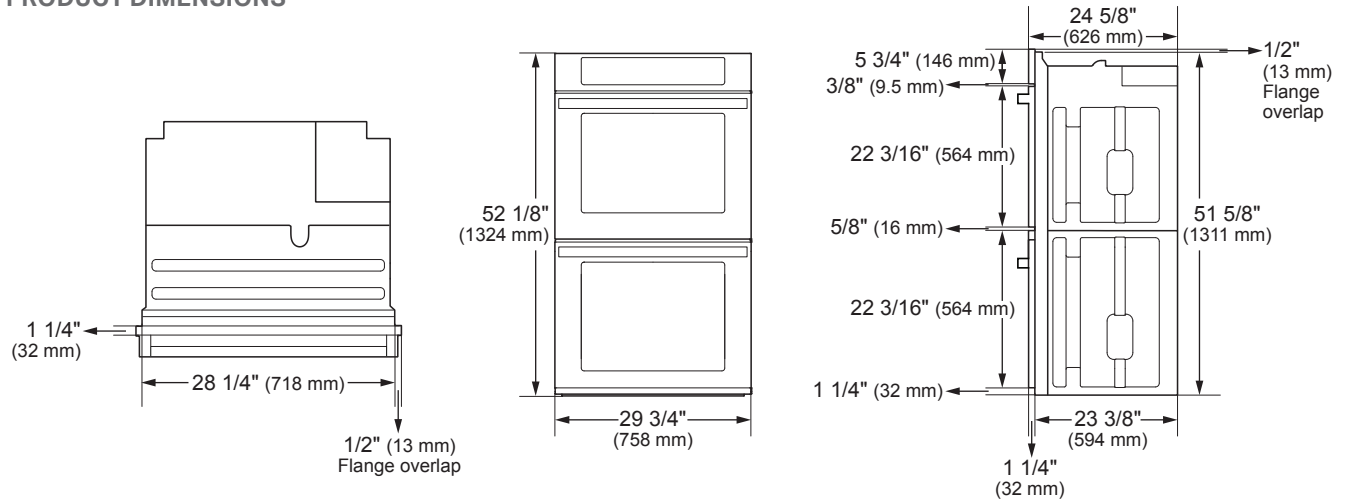
### Warranty Summary\*

|  |         |
|--|---------|
| Limited Warranty, Parts & Labor  | 2 Years |
| Additional 1 Year When Product Registration is Completed Online with Owner Opt-in for Wi-Fi Monitoring | Yes     |

\*These warranties give you specific legal rights and you may have other rights that vary from state to state. For complete warranty details, refer to your Use & Care manual.

# UPWD3034ST DOUBLE WALL OVEN

## PRODUCT DIMENSIONS



## CUTOUT DIMENSIONS

