

SKSCW241RP

24-INCH INTEGRATED COLUMN WINE REFRIGERATOR



WINE CAVE TECHNOLOGY™

Carefully tailored to mimic the ideal environment of historic wine caves, our exclusive design minimizes temperature fluctuations, reduces vibration, limits light passing through, and locks in humidity.

PRECISE PRESERVATION

Ingenious features like an Inverter Linear Compressor and metal interior help to keep your collection cool while maintaining the lowest temperature fluctuation among leading brands* and vibration minimized to less than 2 gal (cm/s²).

LIGHT AND HUMIDITY CONTROL

Dark-tinted, triple pane glass protects wine from damaging UV light while humidity control boosts humidity to optimum levels, helping to preserve quality and taste.

INDEPENDENT TEMPERATURE ZONES

Three Independent temperature zones keep sparkling, white, and red wines at the right temperature to bring out the very best taste.

TOUCH DISPLAY LIGHTING

Showcase an entire collection with a touch of the door. LED lights are activated by gently tapping the door or with the mobile app. Choose from four display settings including, Presentation, Upper, Lower, and All.

SIGNATURE FIT™ INTEGRATED DESIGN

Every integrated column features an intelligent, symmetrical design that allows for flush installation, along with easy door reversal.

ECO FRIENDLY

Engineered to reduce environmental impact with HFC / HCFC free refrigerant, insulation and recyclable materials, while using just 270 kWh/yr — the lowest energy consumption in the industry.*

Style

Door Style	Panel Ready
Door Swing	Reversible (Ships Right Hinge)
Interior Cabinet Finish	Metal

Innovation

WiFi-Enabled for ThinQ® Control with iPhone / Android App	Yes
Remote Operations	Yes
InstaView™ Window (Knock Twice to See Inside)	Yes
Wine Cave Technology™	Yes
Inverter Linear Compressor	Yes

Performance

Temperature Zones	3
Operating Temperatures	41° to 64° F
Humidity Control	Yes

Modes

Sabbath, Demo, Power On / Off, Temp Control, Smart Diagnosis, WiFi

High Altitude Compatibility	Yes
-----------------------------	-----

Capacity and Storage

Bottle Capacity (750 ml)	113
Storage Shelves	11
Shelf Material	Beech Wood with Metal Accents
Presenter Shelf	2

*When compared to leading brand wine refrigerators of similar size and capacity as of Feb. 2019.

© 2024 Signature Kitchen Suite. All rights reserved. Design, features and specifications are subject to change without notice. Specifications are for planning purposes only. Consult the product's installation instructions for final dimensional data and other details prior to making cutouts or custom panels. Consult with a heating and ventilation engineer for your specific ventilation requirements. Non-metric weights and measurements are approximate. Smart features require Internet access.

1-855-790-6655 | www.signaturekitchensuite.com

SKSCW241RP

24-INCH INTEGRATED COLUMN WINE REFRIGERATOR

General Features

Digital Touch Controls w/White LED Display	Yes
Hidden LED Interior Lighting	Yes
Presenter Shelf Lighting	Yes
Maximum Sound Level	38 dBA
Star-K Certified Sabbath Mode	Yes
ENERGY STAR® Certified	Yes

Installation Features

Four Point Front Adjustable with 8 Wheels	Yes
Attachment Method to Cabinetry	Top with No Visible Screws
Front Serviceable	Yes
Anti-tip Bracket Included	Yes

Technical Specs

Required Power Supply	115 V, 60 Hz, 15 Amp
Plug Type	3-Prong
Power Cord Length	86 1/2"

Dimensions and Weight

Overall Width (inches)	23 3/4"
Overall Height (inches)	83 1/2" Min. – 84 1/2" Max.
Overall Depth Without Panel or Handles (inches)	23 7/8"
Net Weight (approx.)	357 lbs.
Shipping Weight (approx.)	401 lbs.

Optional Accessories

Stainless Steel Panel / Handle / Toekick Kit	SKSWK245RS (Right Hinge, Left Handle) SKSWK245LS (Left hinge, Right Handle)
Joining Kit for Dual Column Installation	SKSFJ800P
Retrofit Frame Kit	SKSFK800CS
Brushed Aluminum Handle	Medium – 31 11/16" Long – 48" (For Columns)
	SKSHK310HS SKSHK480HS

Warranty Summary*

Limited Warranty, Parts & Labor	3 Years
Limited Warranty, Sealed System and Compressor, Parts & Labor	5 Years
Limited Warranty Compressor, Parts Only	10 Years

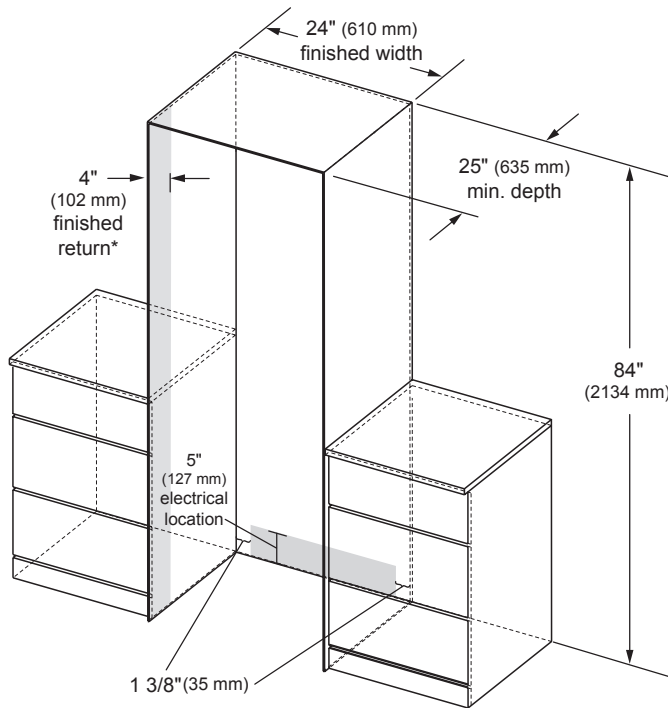
*These warranties give you specific legal rights and you may have other rights that vary from state to state. For complete warranty details, refer to your Use & Care manual.

SKSCW241RP

24-INCH INTEGRATED COLUMN WINE REFRIGERATOR

CUTOUT DIMENSIONS – FLUSH INSTALLATION

SINGLE COLUMN



* A minimum 4" (102 mm) finished return that matches the cabinet exterior is recommended on all sides and the top of the cutout opening. The shaded area will be visible after installation.

Notes

Wine refrigerator can be installed flush with 3/4" custom panel or optional stainless steel panel kit.

With a 25" (635 mm) cutout depth, the front face of the wine refrigerator fits flush with 25" (635 mm) depth adjacent cabinets.

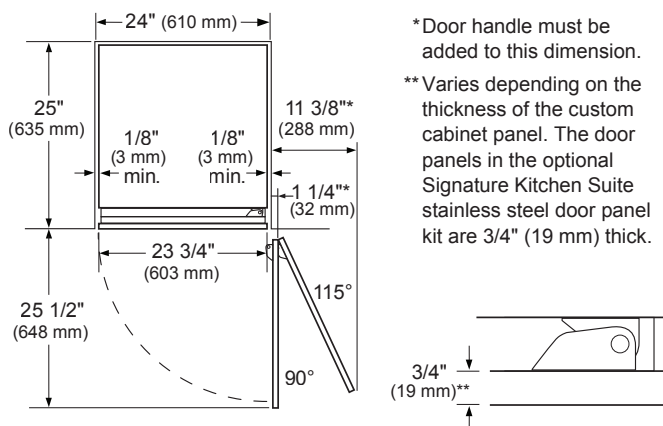
Electrical

A 115V, 60Hz., 15 amp power supply is required. An individual properly grounded branch circuit or circuit breaker is recommended. Install a properly grounded 3-prong electrical receptacle recessed into the back wall. Electrical must be located on rear wall as shown.

Note: GFI (ground fault interrupter) is not recommended.

INSTALLATION CLEARANCES – FLUSH INSTALLATION

TOP VIEW



* Door handle must be added to this dimension.

**Varies depending on the thickness of the custom cabinet panel. The door panels in the optional Signature Kitchen Suite stainless steel door panel kit are 3/4" (19 mm) thick.

Notes

Door Swing Clearances – The installation must allow for clearances to adjacent walls or cabinets. This wine refrigerator is equipped with a 2-position door stop. The factory-set 115° door swing can be adjusted to 90° if clearance to adjacent cabinets or walls is restricted.

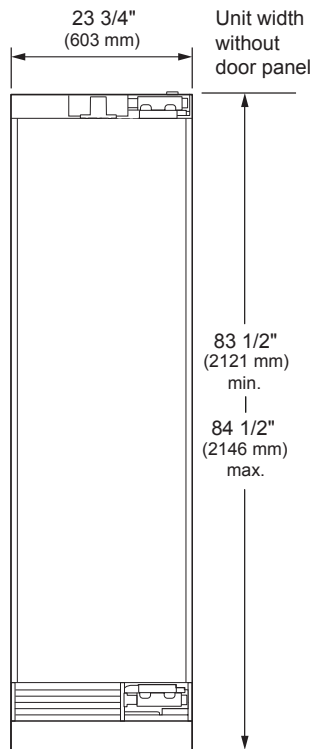
Door Handle Clearances – The Door Handle depth must be added to the dimension noted to determine the total clearances required from adjacent cabinets or walls. This clearance will vary depending on the custom handle used. When using the Stainless Steel Door Panel Kit w/Handle or the Brushed Aluminum Handle (optional accessories), the door handle clearance with door open 115° is 14" (356 mm).

SKSCW241RP

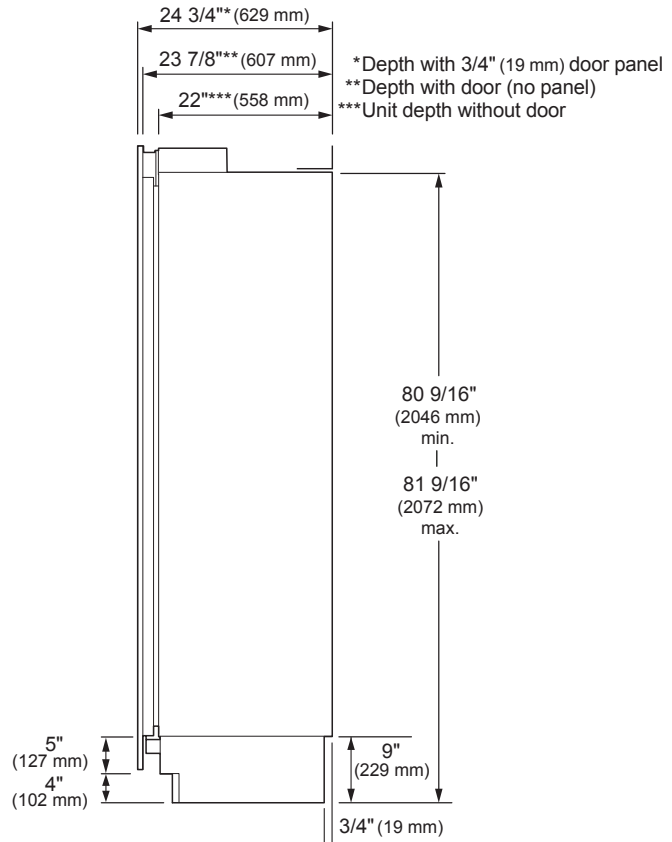
24-INCH INTEGRATED COLUMN WINE REFRIGERATOR

OVERALL PRODUCT DIMENSIONS

FRONT VIEW

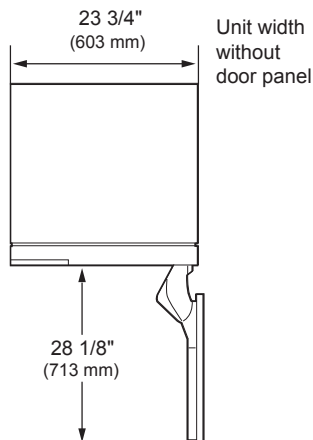


SIDE VIEW

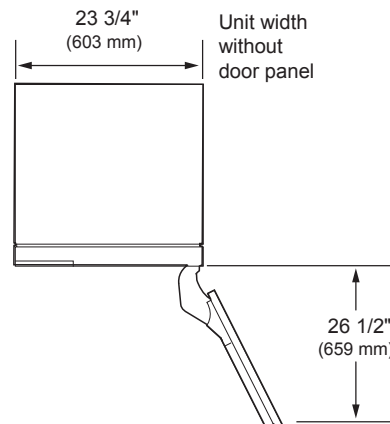


TOP VIEW

DOOR OPEN 90°



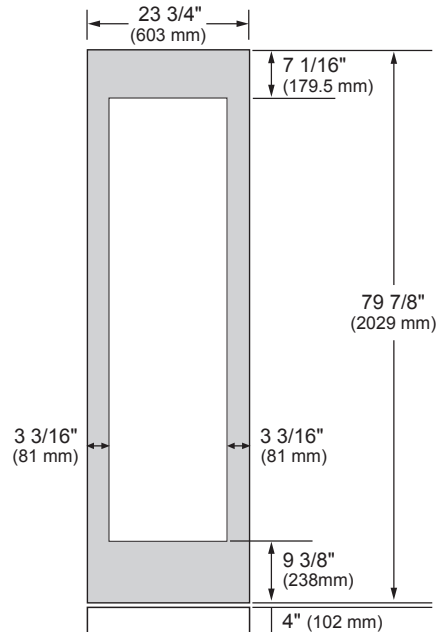
DOOR OPEN 115°



SKSCW241RP

24-INCH INTEGRATED COLUMN WINE REFRIGERATOR

CUSTOM PANEL DIMENSIONS



Notes

These units are designed to be customized with decorative panels. Field-installed custom door panels or an optional Stainless Steel Panel Kit is required.

For Custom Panels: Use templates provided with units to pre-drill holes for mounting panel brackets (provided with unit). Adjustment screws and instructions also provided with units.

Maximum Total Door Panel Weights:
24-Inch Integrated Column – 22 lbs.
18-Inch Integrated Column – 21 lbs.

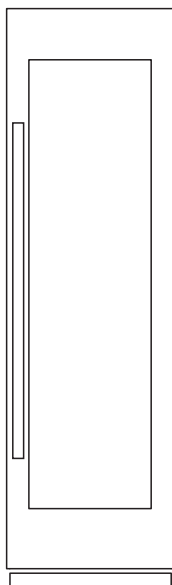
Design Tips

4" (102 mm) will be visible on the interior sides of the furniture return. It is recommended that both sides of each cutout panel be finished to match the cabinet exterior.

If using custom panels, a custom toe kick is required. The bottom of case is unfinished.

Door Handles: Handles are not included with the units. Custom handles are required for installation. Brushed Aluminum Handles are available as an optional accessory.

OPTIONAL ACCESSORIES



Stainless Steel Panel Kit for 24-inch Integrated Column Wine Refrigerator

This unit can be installed with an optional Stainless Steel Panel Kit. Kit includes one door panel, one toe kick and one handle. Order right or left hinge option, depending on desired installation.

SKSWK245RS – 24" Wine Column Stainless Kit, Right Hinge
(Horizontal brushed hairlines for right hinge installation, opening from left to right)

SKSWK245LS – 24" Wine Column Stainless Kit, Left Hinge
(Horizontal brushed hairlines for left hinge installation, opening from right to left)

Handles for Use with Custom Panels

SKSHK310HS – 31 11/16" (805 mm) Medium Handle – Brushed Aluminum

SKSHK480HS – 48" (1219 mm) Long Handle – Brushed Aluminum

Joining Kit for Dual / Multiple Column Installation

SKSFJ800P – This kit is required for installation when a wine column is installed with another wine column, refrigerator column or French door column. This kit is included with all freezer columns.

Refer to the Integrated Column Planning/Installation Guide for details on installing multiple columns, door swing dimensions, cabinet planning, retrofit installation and more.